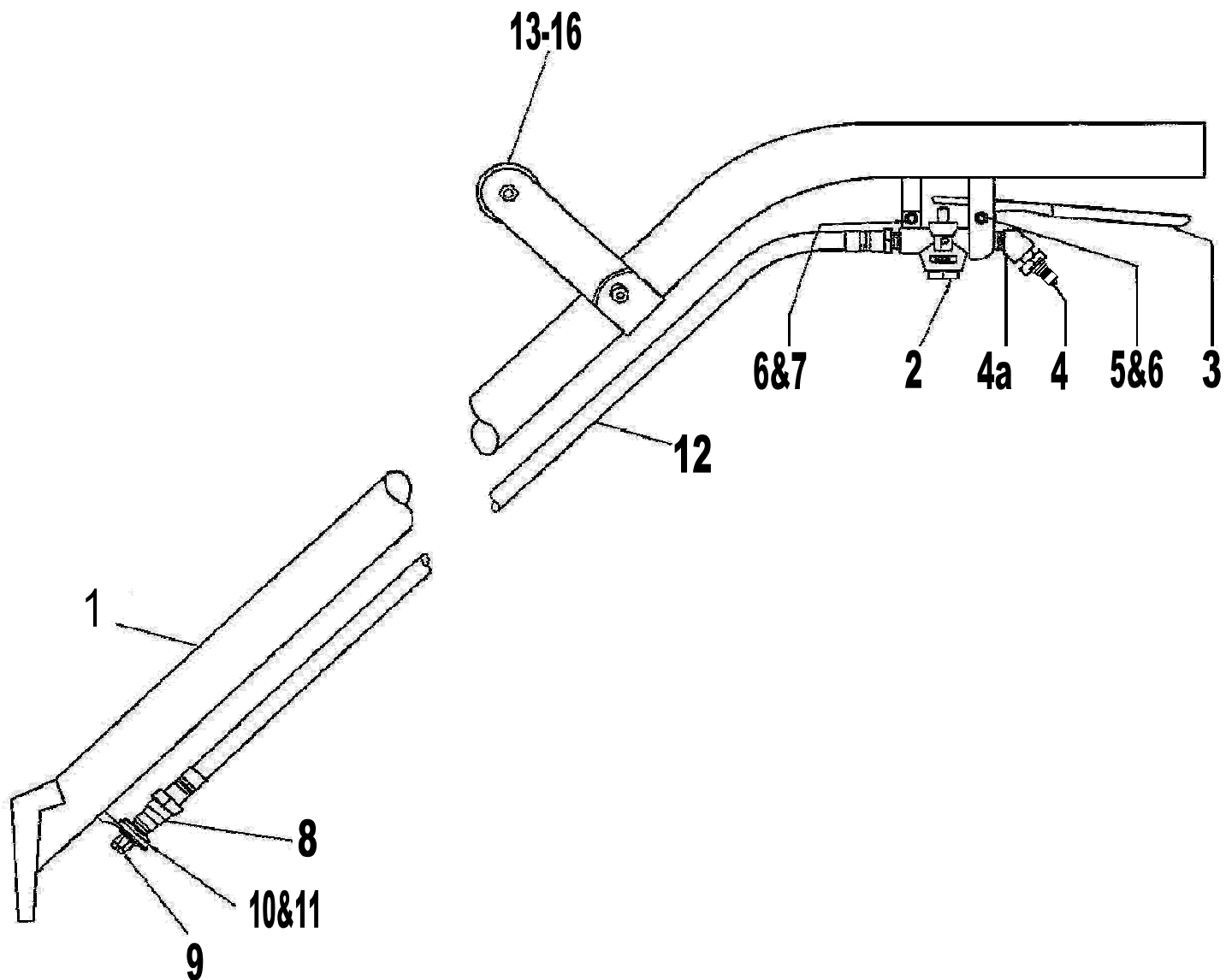


# 2100 Economy Wand



Item #	Qty	Part #	Description
1	1	2101	56" Wand Weldment w/V2P hanger welded on
2	1	V2P	Valve Assy
		RV2P	Valve Repair Kit (Not Shown)
3	1	2103	Valve Lever
4	1	10-0870	Large Male Quick Disconnect
4a	1	2004	45° Street Elbow
5	1	2005	SS Pan HD Screw 10-32 x 1 1/8"
6	2	2006	SS Hex Nut 10-32
7	1	2007	SS Pan HD Screw 10-32 x 5/8"
8	1	2008	Swivel Coupler
9	1	2109	Vee Jet
10	1	2010	3/16" Thick Black Washer
11	1	2011	SS Flat Washer
12	1	2112	41" HP Whip, Solution Hose
13-16	1	2500	Handle Assy