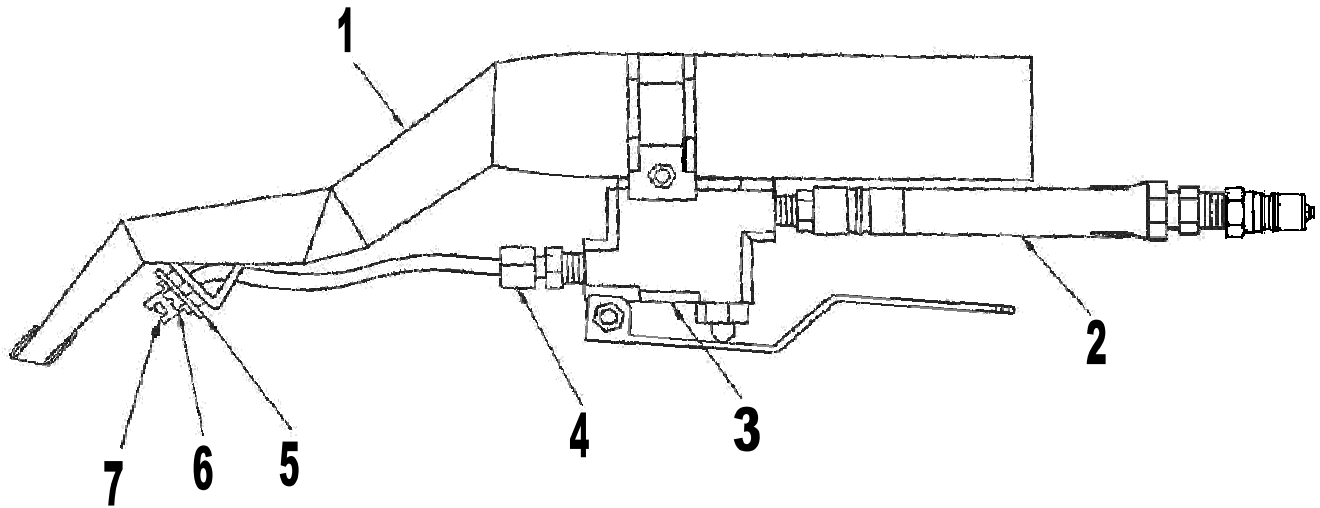


1800 Compact Car Detailing Tool



Item #	Qty	Part #	Description
1	1	1801	SS Compact Hand Tool Body Only
2	1	WHP01-12	Whip For PMF Hand Tools Includes Quick Disconnect
3	1	V1245B	Valve Assembly
		R1245B	Valve Repair Kit (Not Shown)
4	1	1102	1/8" MPT x 3/16" Tube w/ Comp. Ferrule
5	1	1103	Retainer Plate
6	2	1104	SS Fillister HD Screw 8-32 x 5/16" FH
7	1	1402	Tee Jet Includes O-Ring 3/8" O.D. x 1/4" I.D.~ .070 Wall