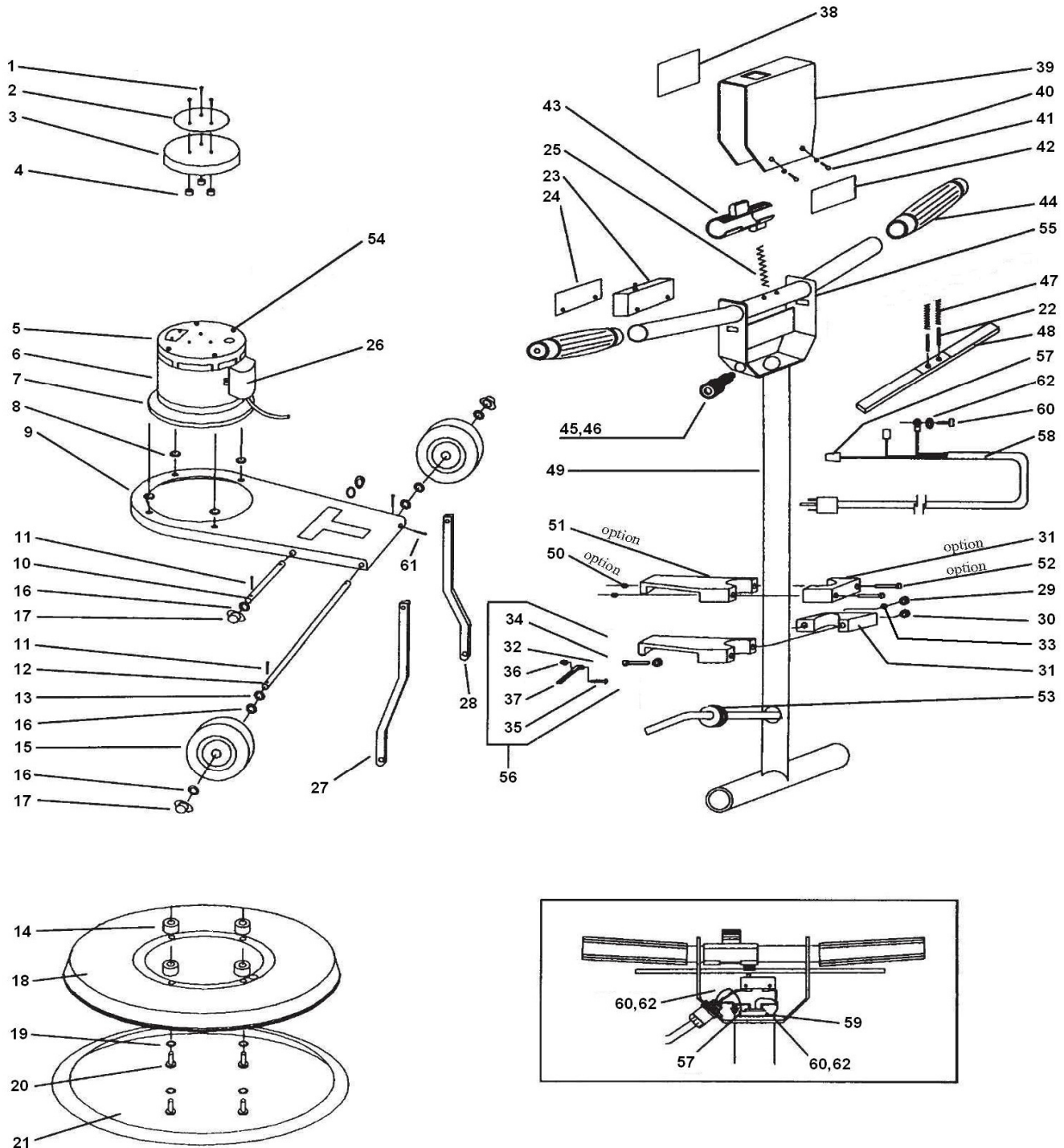


# ASTRO 1 HP S/S FLOOR MACHINE PARTS LIST



ITEM #	PART #	DESCRIPTION	QTY
1	H0002	SCREW 10-24 X 1.00" / 10-24 X 0.5"	3
2	L0001	ASTRO LABEL	1
3	C0010-1	COVER, DRIP-MOTOR	1
4	H0003	SPACER, DRIP COVER	3
5	E0004	MOTOR/GEARBOX ASSEMBLY, 1 HP	1
6	E0001	MOTOR ASSEMBLY, 115/60, 1 HP	1
7	G0001	GEAR UNIT 10:1, 2-IDLER	1
8	H0005	LOCKWASHER, 5/16" ID, EXT TOOTH	4
9	W0001P	FRAME-FLOOR MACHINE	1
10	M0006P	SHAFT HANDLE	1

<u>ITEM #</u>	<u>PART #</u>	<u>DESCRIPTION</u>	<u>QTY</u>
11	H0006	COTTER PIN	4
12	M0005P	SHAFT, AXLE	1
13	H0007	SPRING WASHER	2
14	M0004	SPACER, FRAME/BRUSH COVER	4
15	C0004	WHEEL, 5" DIA	2
16	H0008	STEEL WASHER, 33/64" X 7/8"	12
17	H0009	PUSH NUT - 0.50"	4
18	S0020P	BRUSH COVER 13"	1
18	S0038P	BRUSH COVER 15"	1
18	S0003P	BRUSH COVER 17"	1
18	S0004P	BRUSH COVER 20"	1
19	H0010	LOCKWASHER, 5/16" ID	4
20	H0011	SCREW, 5/16" X 2.0 SOC HD	4
21	C0015	BUMPER, 13" BLACK	1
21	C0029	BUMPER, 15" BLACK	1
21	C0001	BUMPER, 17" BLACK	1
21	C0002	BUMPER, 20" BLACK	1
22	H0012	ROLL PIN	2
23	E0007	SWITCH, ON/OFF	1
24	H0013	INSULATION, SWITCH	1
25	H0014	SPRING	1
26	E0008	CAPACITOR, 594 MFD	1
27	S0006P	CONNECTING LEG - LEFT	1
28	S0005P	CONNECTING LEG - RIGHT	1
29	H0015	NUT 3/8" - 16 HEX NYLOC STANDARD	1
30	H0057	NUT 3/8" - 16 HEX NYLOC THIN	1
31	C0006P	CLAMP, HANDLE LOCK	1
32	H0001P	WASHER, HARDENED SLOTTED	1
33	H0016	WASHER, 3/8"	3
34	H0017	STUD, CLAMP	1
35	H0018	RIVET, 5/16" X 1.25 LONG RD HEAD	1
36	H0019	PUSH NUT 5/16"	1
37	M0001P	CAM. HANDLELOCK	1
38	L0002	LABEL, SWITCHBOX	1
39	W0003P	COVER ASMEBLY, SWITCHBOX	1
40	H0020	LOCKWASHER, #10 EXT TOOTH	3
41	H0040	SCREW, 10-24 X 0.50 PAN HEAD	2
42	L0005	LABEL, WARNING	1
43	C0003	SWITCH, SAFETY	1
44	C0007	HANDLE GRIP, BLACK	2
45	H0021	STRAIN RELIEF, POWER CORD	1
46	H0022	NUT, STRAIN RELIEF	1
47	H0023	SPRING, TRIGGER	2
48	S0008P	TRIGGER	1
49	W0002P	HANDLE WELDMENT	1
50	H0024	NUT, 3/8" - 16	2
51	C0008P	CORD HOOK BODY	1
52	H0025	SCREW 3/8" - 16 X 2.0 SOCKET CAP	3
53	H0028	GROMMET	1
54	H0026	SCREW, MOTOR - 1/4"-20 X 6 3/4	4
55	E0010	HANDLE ASSEMBLY, COMPLETE	1
56	HP0003	CAM LOCK ASEMBLY	1
57	H0027	NUT, WIRE	1
58	E0003	POWER CORD, 14/3 ST X 50'	1
59	H0029	CLAMP, POWER CORD	1
60	H0040	SCREW, 10-24 X 0.50	2
61	H0031	COTTER PIN	1
62	H0020	LOCKWASHER, #10 EXT. TOOTH	1