



IPC Integrated Professional Cleaning

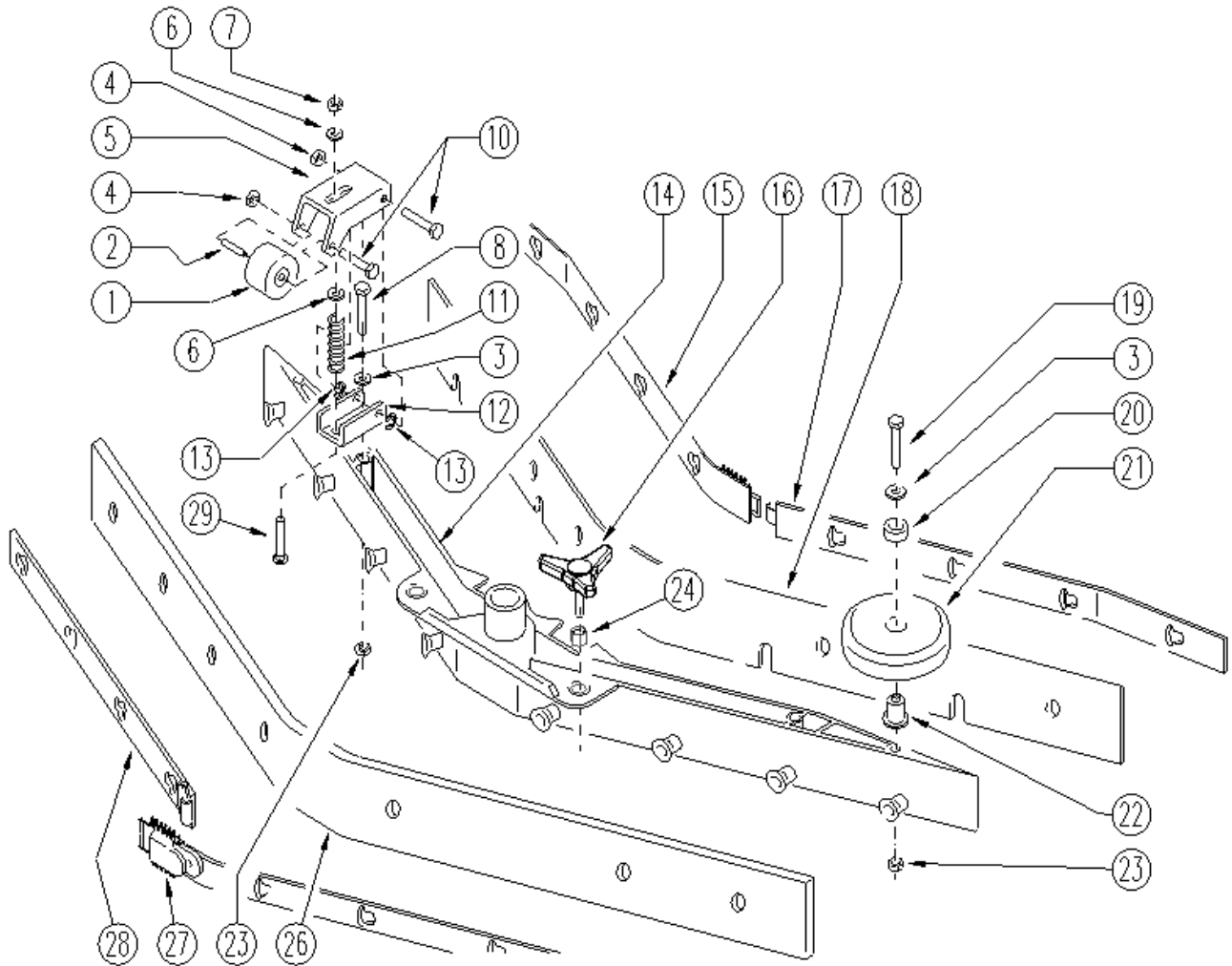
IPCGansow

Spare Parts List

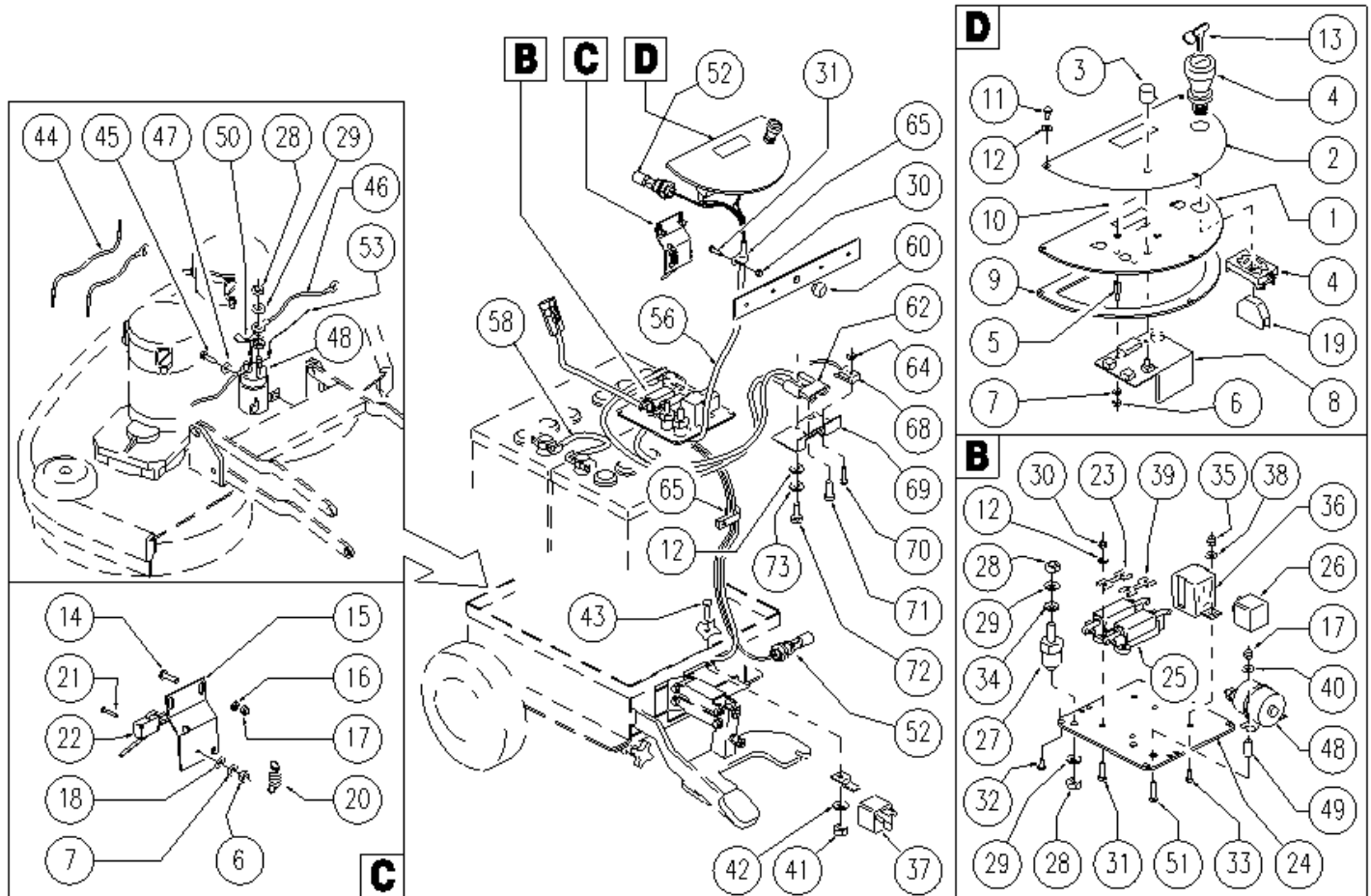
IPC . EAGLE

Ref: LPTB02179

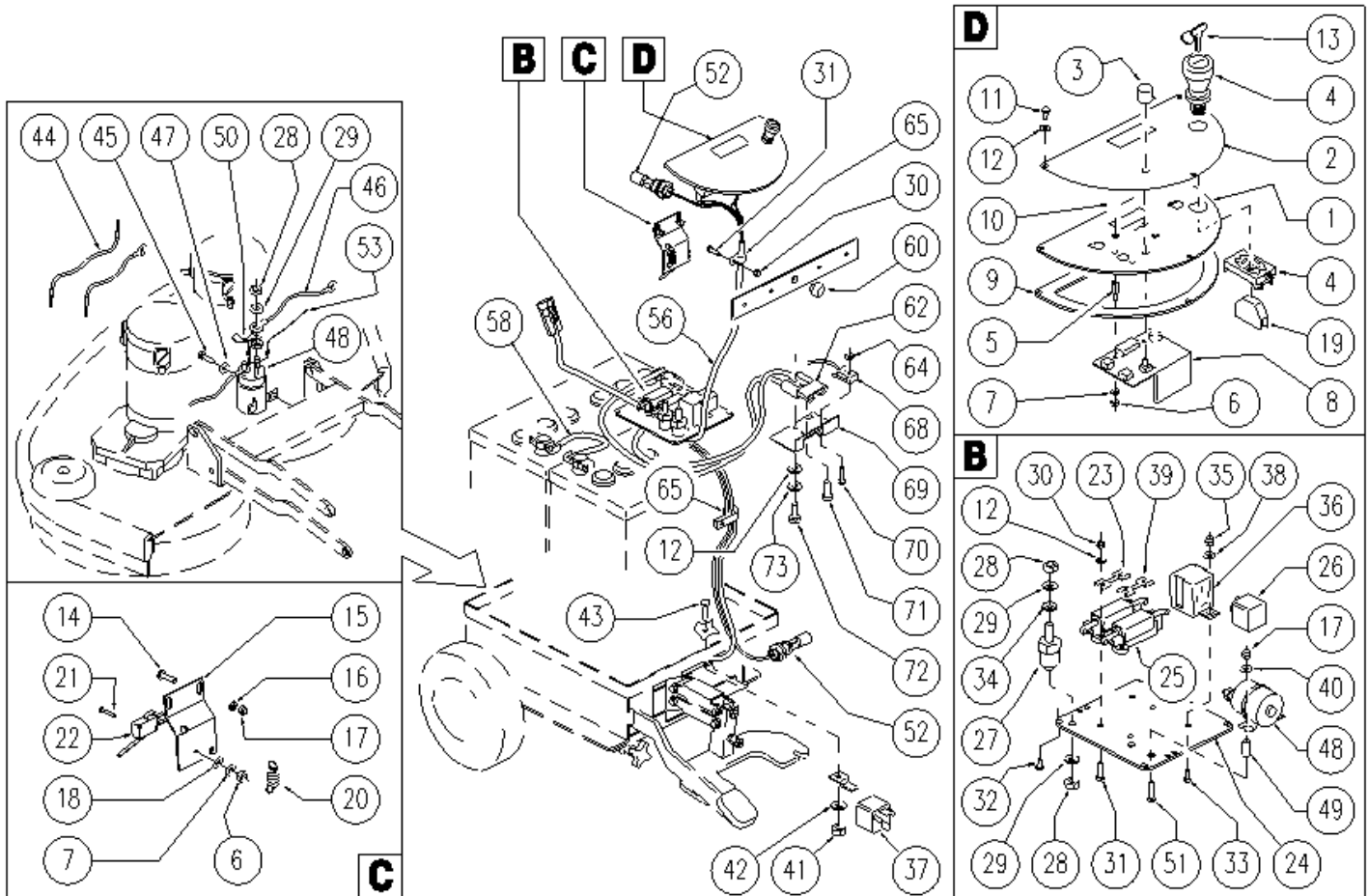
Model: CLEANTIME 90 BT70



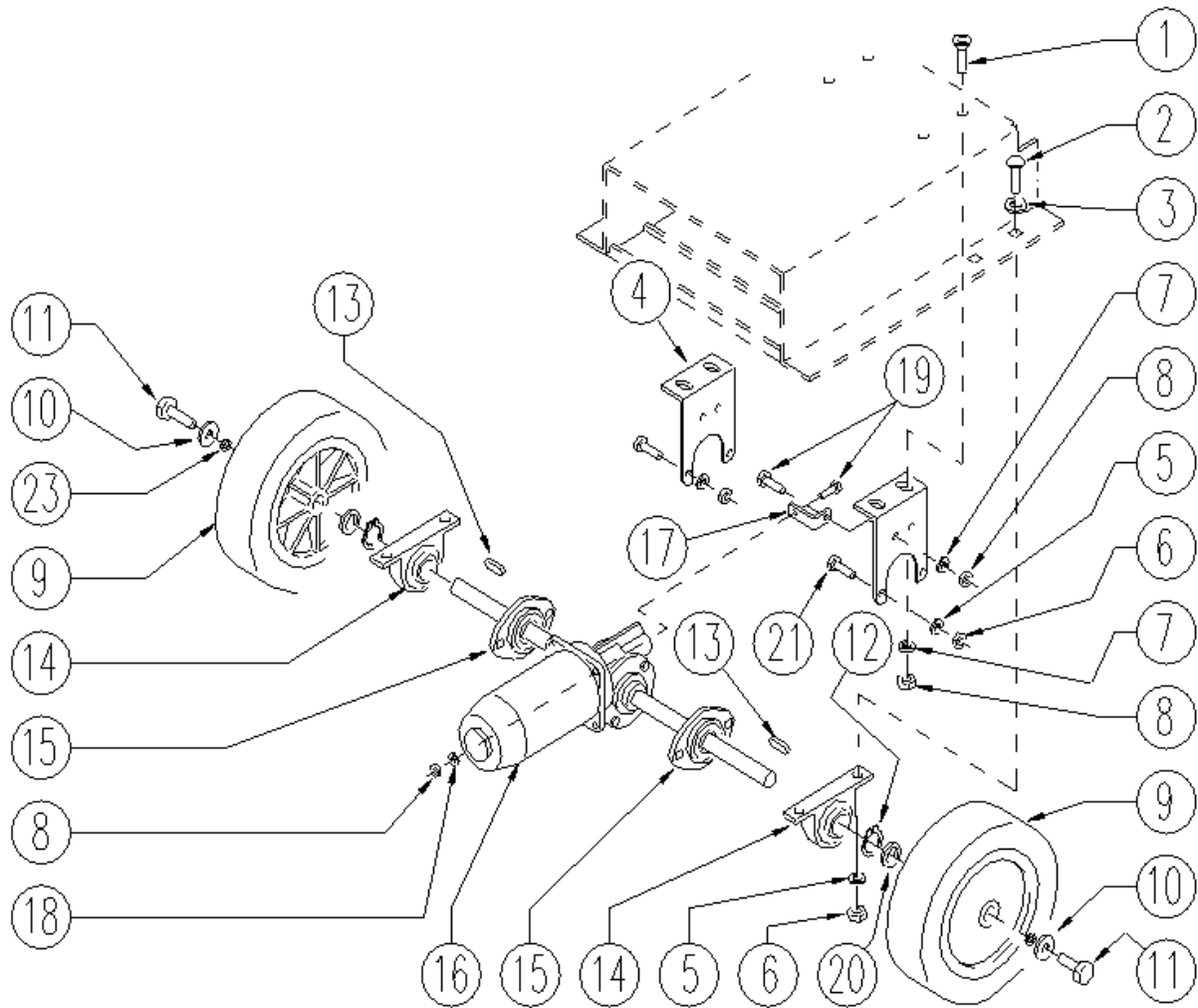
Ref. K	Part N.	Customer Part N.	Description	Qty	Validity:		Price
					From	To	
0001	RTRT49413		WHEEL D. 60-D.15 X36 NYL.	2,00	03/2004		--
0002	LAFN04041		SPACER D6/15	2,00	03/2004		--
0003	VTRS15144		WASHER D. 6 INX GRW UNI 1751	4,00			--
0004	VTDD01694		NUT M 6 INX	4,00	03/2004		--
0005	LAFN05559		SUPPORT RUOTINO	2,00	03/2004		--
0006	VTRS13947		WASHER D. 8 INX UNI 6592	4,00	03/2004		--
0007	VTDD01695		NUT M 8 INX	2,00	03/2004		--
0008	VTVT15142		SCREW TE M 6x45 INOX	2,00	03/2004		--
0010	VTVT15515		SCREW TE M 6X 50 INOX A2	4,00			--
0011	MLML49422		SPRING D.15X 45 X1	2,00			--
0012	LAFN51069		BRACKET SUPP.RUOTINO SQUEEGEE	2,00			--
0013	VTAE45707		CIRCLIP D. 6 UNI 7434 INOX	4,00			--
0014	MFVR00140		BODY SQUEEGEE PRESSOFUSO	1,00			--
0015	LAFN51047		LAMINATION BLOCCA LAMA ANTER.SX "L"	1,00			--
0016	MPVR05265		KNOB 8X25	2,00			--
0017	LAFN51046		LAMINATION BLOCCA LAMA ANTER.DX "L"	1,00			--
0018	MPVR48380		RUBBER BLADE LAV. 890	1,00			--
0019	VTVT00655		SCREW TE M. 6-55	2,00			--
0020	MPVR49229		BUSHING SHK	2,00			--
0021	RTRT43370		CASTER D.100 2V.	2,00			--
0022	LAFN04100		SPACER PER RUOTINO PARACOLPI	2,00			--
0023	VTDD15520		NUT M 6 A2 UNI 5588 INX	4,00			--
0024	VTVR00022		INSERT FILETTATO ESAGONALE M8	2,00			--
0026	MPVR48379		RUBBER BLADE LAV. 890 PARA	1,00			--
0027	LAFN05675		BLADE HOLDER POSTERIORE DX (L)	1,00			--
0028	LAFN05674		BLADE HOLDER POSTERIORE SX (L)	1,00			--
0029	VTVT01304		SCREW M 8X 40 TTQST UNI 5731	2,00			--



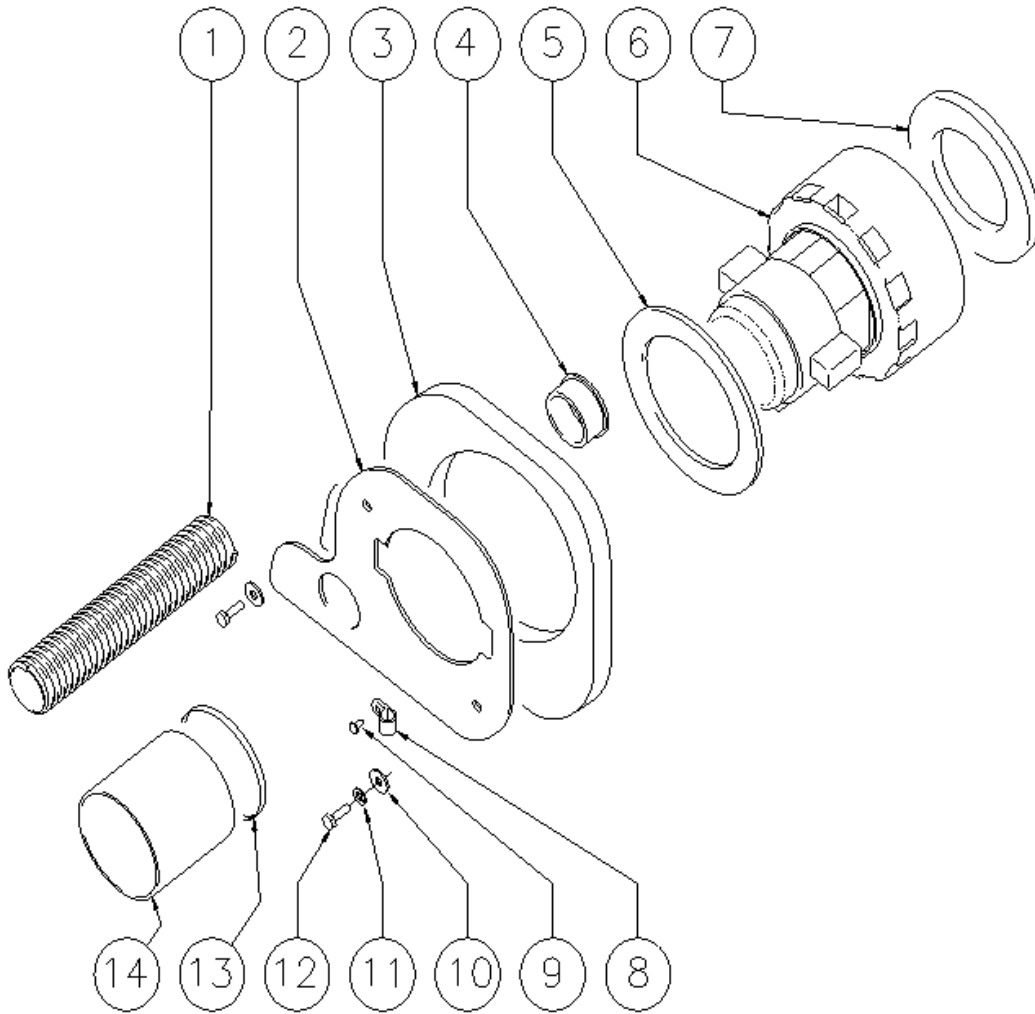
Ref. K	Part N.	Customer Part N.	Description	Qty	Validity:		Price
					From	To	
0001	LAFN06288		SUPPORT PLANCIA COMANDI	1,00			--
0002	ETET01415		LABEL PLANCIA COMANDI	1,00			--
0003	MEVR01666		PLUG FT 80	1,00			--
0004	MECI00323		BUTTON FUNGO	1,00			--
0005	VTVR00481		INSERT FILETTATO M6	3,00			--
0006	VTDD21115		NUT M 3 INOX	5,00			--
0007	VTRS00268		WASHER D.3	5,00			--
0008	MECE00435		BOARD CT40 TRAZIONATA	1,00			--
0009	GUGO38417		GASKET PANN.COM.EXTREME	1,00			--
0010	VTVT00865		SCREW TSP-TC M 3X 6 UNI7688 INX	3,00			--
0011	VTVT37012		SCREW M 4X 10 TCB-TC INX	3,00			--
0012	VTRS00515		WASHER D. 4 INX	9,00			--
0013	CHVR00051		DIASASS.SPANNERPULSANTE FUNGO	1,00			--
0014	VTVT07725		SCREW TE 5X16 UNI5739 INX	2,00			--
0015	LAFN05904		PLATE MICRO LEVA	1,00			--
0016	VTRS00516		WASHER D. 5 INX	2,00			--
0017	VTDD01693		NUT M 5 INX	4,00			--
0018	VTRS21116		WASHER D. 3 INX	2,00			--
0019	MECI00403		CONTACT -	1,00			--
0020	MLML34726		SPRING TR E350 N	1,00			--
0021	VTVT01316		SCREW TC+ M3-16	2,00			--
0022	MECI36393		MICROSWITCH TRZ. DRW	1,00			--
0023	MEVR02887		FUSE 40A NST.	1,00			--
0024	LAFN06822		RING NUT M20X1 ABL	1,00			--
0025	MEVR01332		FUSE-HOLDER	2,00			--
0026	MECE00139		RELAY POTENZA 24V	1,00			--
0027	MEVR01116		SUPPORT FUSIBILE 120 A	1,00			--
0028	VTDD15521		NUT M 8 INX A2 UNI 5588	6,00			--
0029	VTRS01080		WASHER D. 8 GRW	6,00			--
0030	VTDD15925		NUT M 4 INX	4,00			--
0031	VTVT00704		SCREW TE M 4X 16 UNI5739 INOX	6,00			--
0032	VTVT01580		SCREW TC M5X10 UNI7687 INOX	4,00			--
0033	VTVT21096		SCREW TE M 4X 10 INX	1,00			--
0034	VTRS13947		WASHER D. 8 INX UNI 6592	3,00			--
0035	VTDD00147		NUT M 4 INX U.5588	1,00			--
0036	METT00053		BLOCK PORTA RELE'	1,00			--
0037	MECI00005		RELAY 24V 10/20A	1,00			--
0038	VTRS13750		WASHER D. 5X14 INX	1,00			--
0039	MEVR42990		FUSE 60A NST.	1,00			--



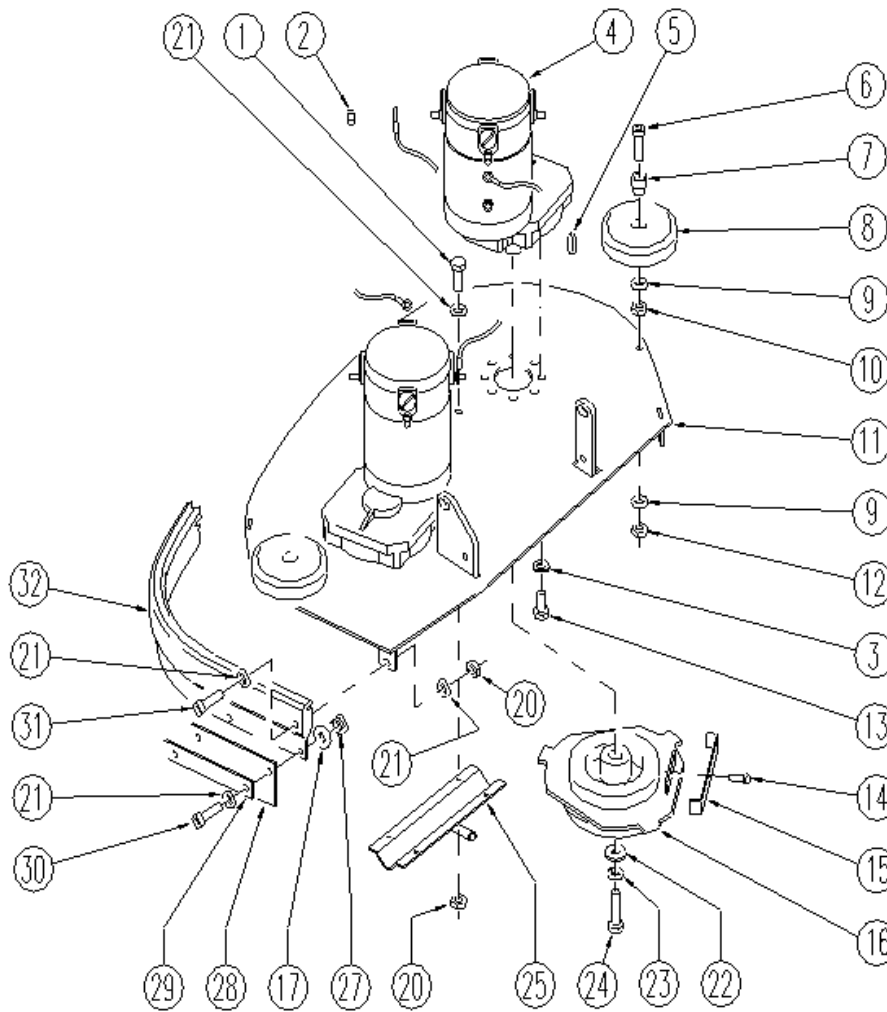
Ref.	K	Part N.	Customer Part N.	Description	Qty	Validity:		Price
						From	To	
0040		VTRS15958		WASHER D. 5 X15 UNI 6593	2,00			--
0041		VTDD01694		NUT M 6 INX	1,00			--
0042		VTRS00245		WASHER D.6 UNI 6592 INOX	1,00			--
0043		VTVT01676		SCREW TSTC UNI 7688 M6X16	1,00			--
0044		MECB01014		CABLE 6,5mmq	2,00			--
0046		MECB00987		WIRING -	1,00			--
0047		VTRS15144		WASHER D. 6 INX GRW UNI 1751	2,00			--
0048		METT45116		CONTACTOR 24V T106 P	2,00			--
0049		LAFN31098		SPACER S. BLOCK B 450	2,00			--
0050		MECB01019		WIRING	1,00			--
0051		VTVT00399		SCREW TE M5x30 UNI 5739	2,00			--
0052		MECI00516		SENSOR DI LIVELLO ORIZZONTALE	2,00			--
0053		MECB01020		WIRING	1,00			--
0054		LAFN35588		BATTERY SUPPORTLAV. BT	1,00			--
0056		MECB01008		ELECTRI.INSTAL.CT 40 BT 24V	1,00			--
0058		MEVR34820		WIRING B 450 BT	1,00			--
0060		MPVR00043		CAP CHIUS.FORO PORTAFUS.L 15	1,00			--
0062		MEVR01707		CONNECTOR -	1,00			--
0064		VTDD08634		NUT	2,00			--
0065		FSVR00099		CLAMP FERMATUBO	2,00			--
0068		MECI00334		MICROSWITCH V4	1,00			--
0069		LAFN06409		SUPPORT -	1,00			--
0070		VTVT00671		SCREW TC- M.2-16 OTTONE	2,00			--
0071		VTVT00872		SCREW TSP+ 2.9X13 AUTOFIL. INOX	1,00			--
0072		VTVT00814		SCREW TE M.4-25	2,00			--
0073		VTRS15913		WASHER D. 4 GROVER A2 UNI1751	2,00			--



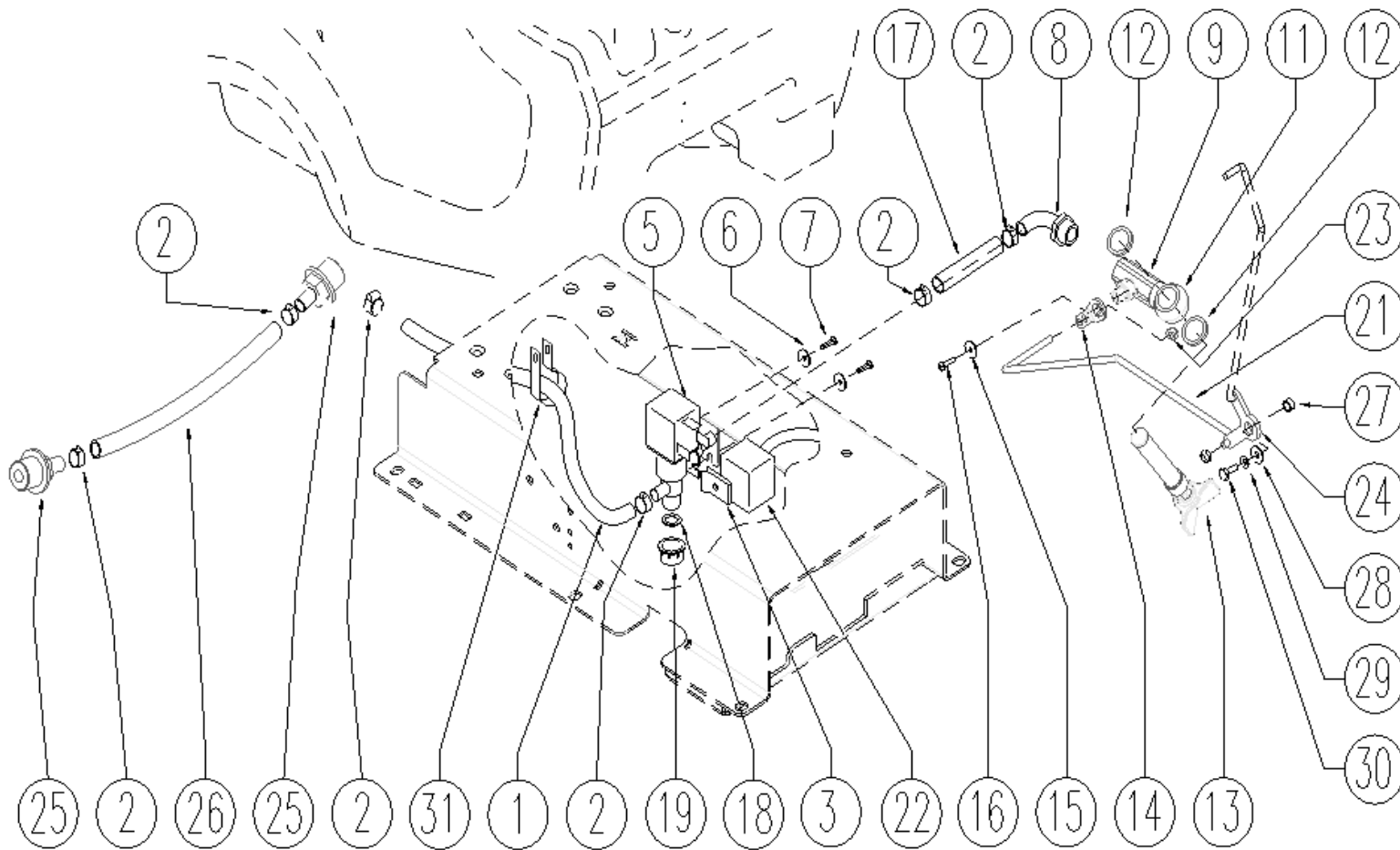
Ref. K	Part N.	Customer Part N.	Description	Qty	Validity:		Price
					From	To	
0001	VTVT13940		SCREW M 6X 20 TSPEI UNI 5933	4,00			--
0002	VTVT00842		SCREW	4,00			--
0003	VTRS15978		WASHER D.12X24 UNI 6592 INX	4,00			--
0004	LAFN09092		BRACKET MOTORE	2,00			--
0005	VTRS13947		WASHER D. 8 INX UNI 6592	8,00			--
0006	VTDD01695		NUT M 8 INX	8,00			--
0007	VTRS13945		WASHER D. 6X18 INX UNI 6593	5,00			--
0008	VTDD01694		NUT M 6 INX	6,00			--
0009	RTRT36352		WHEEL D.200 DRW	2,00			--
0010	VTRS13946		WASHER D. 8 X24 INX UNI 6593	2,00			--
0011	VTVT15916		SCREW TE M 8X 16 UNI 5739 A2	2,00			--
0012	VTAE06193		CIRCLIP D. 20 UNI 7435	2,00			--
0013	VTVR33668		KEY 6x 6x40 UNI 6604A	2,00			--
0014	CUVR00169		BEARING FLANGIA P47	2,00			--
0015	CUVR00105		SUPPORT	2,00			--
0016	MOCC00301		MOTOR AOMPDI 24V 165W 130G	1,00			--
0017	LAFN09093		SMALL SQUARE -	1,00			--
0018	VTRS00245		WASHER D.6 UNI 6592 INOX	1,00			--
0019	VTVT13939		SCREW TE 6X20 UNI5739 INX	2,00			--
0020	VTRS00032		THICKNESS 20,2X28X1 DIN 988	2,00			--
0021	VTVT15907		SCREW TE 8X25 UNI5739 INX	4,00			--
0023	VTRS15146		WASHER D. 8 INX GRW UNI 1751	2,00			--



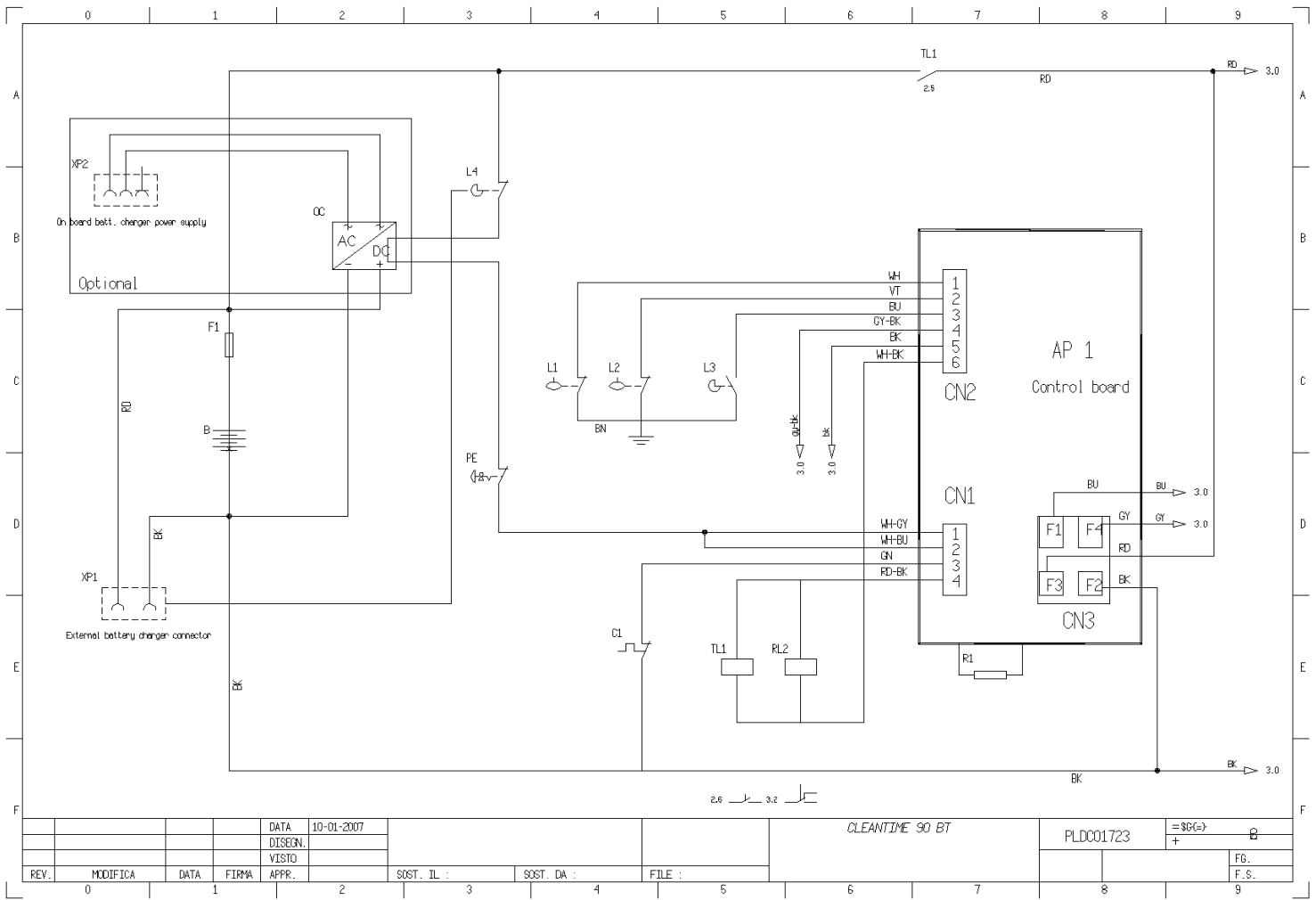
Ref. K	Part N.	Customer Part N.	Description	Qty	Validity:		Price
					From	To	
0001	TBFX00244		TUBE D 34 L200MM	1,00			--
0002	LAFN06363		FLANGE ASPIRATORE	1,00			--
0003	MPVR05103		SOUND-PROOFING ASPIRATORE	1,00			--
0004	MPVR31077		BUSHING L.450	1,00			--
0005	MPVR04724		FLANGE IN NYLON	1,00			--
0006	MOCC00253		MOTOR ASPIR.BIST.24V	1,00			--
0007	GUGO00272		GASKET	1,00			--
0008	FSVR00099		CLAMP FERMATUBO	1,00			--
0009	VTVT00813		SCREW M 4X 8 TCB-TC UNI 8112	1,00			--
0010	VTRS13945		WASHER D. 6X18 INX UNI 6593	2,00			--
0011	VTRS15144		WASHER D. 6 INX GRW UNI 1751	2,00			--
0012	VTVT15143		SCREW TE 6X16 UNI5739	2,00			--
0013	FSVR00500		CLAMP 80-100 INOX	1,00			--
0014	TBFX00268		SUCTION HOSE D80 L=80MM	1,00			--



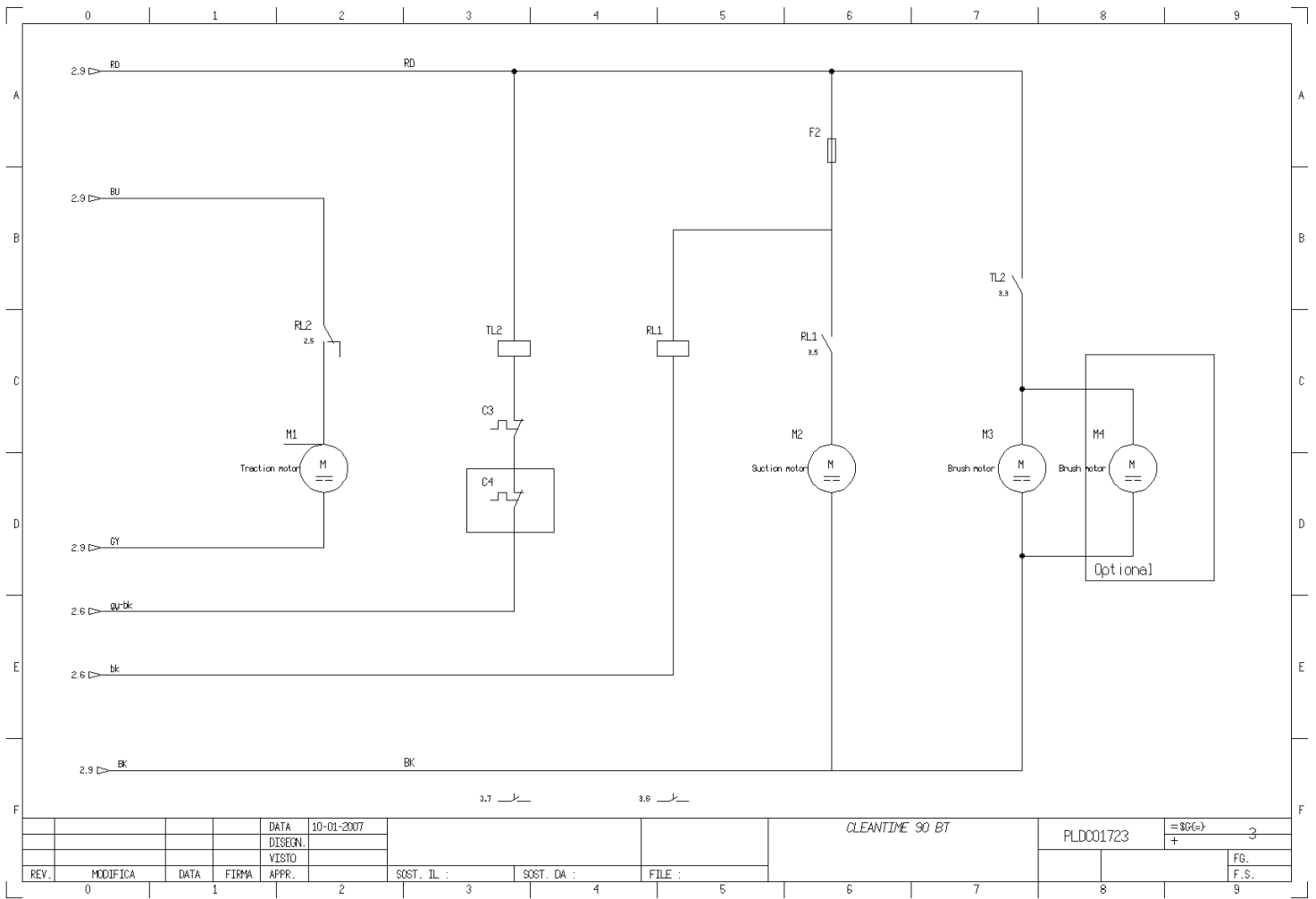
Ref.	K	Part N.	Customer Part N.	Description	Qty	Validity:		Price
						From	To	
0001		VTVT15143		SCREW TE 6X16 UNI5739	4,00			--
0002		VTDD13942		NUT M 6 UNI 5587 INX	4,00			--
0003		VTRS15144		WASHER D. 6 INX GRW UNI 1751	18,00			--
0004		MOCC00315		MOTOR MRP6 1/10 210G/ 24V W300	2,00			--
0005		VTVR21944		KEY 6X6X30	2,00			--
0006		VTVT00775		SCREW TCEI M 8X40 ZC.BK UNI5931	2,00			--
0007		LAFN03915		BUSHING NUOVO RUOTINO STRONG	2,00			--
0008		RTRT43370		CASTER D.100 2V.	2,00			--
0009		VTRS13947		WASHER D. 8 INX UNI 6592	4,00			--
0010		VTDD15521		NUT M 8 INX A2 UNI 5588	2,00			--
0011		LAFN09088		HEAD 70	1,00			--
0012		VTDD01695		NUT M 8 INX	2,00			--
0013		VTVT15906		SCREW TE 6X 12 A2 UNI 5739	14,00			--
0014		VTVT21887		SCREW TCB-TC 4X10 8112	2,00			--
0015		MLML00230		SPRING ANTISGANCIO 70 X FLANGIA	2,00			--
0016		MFVR00133		FLANGE TRASC. SPAZZOLA	2,00			--
0017		MPVR35582		RUBBER LAV.	8,00			--
0020		VTDD15518		NUT M 6 INX	9,00			--
0021		VTRS13945		WASHER D. 6X18 INX UNI 6593	22,00			--
0022		VTRS13946		WASHER D. 8 X24 INX UNI 6593	2,00			--
0023		VTRS15146		WASHER D. 8 INX GRW UNI 1751	2,00			--
0024		VTVT13938		SCREW TE 8X20 UNI5739 INX	2,00			--
0025		LAFN07236		DISTRIBUTOR 70	1,00			--
0027		VTDD00175		NUT M.6 TONDO FILET.4 PUNTE	8,00			--
0028		MPVR04746		FLAP	2,00			--
0029		MPVR05207		SHEET METAL PA.FLAP	2,00			--
0030		VTVT15143		SCREW TE 6X16 UNI5739	8,00			--
0031		VTVT00392		SCREW M6x35 UNI5739 inox	5,00			--
0032		MPVR05232		BUMPER -	1,00			--



Ref.	K	Part N.	Customer Part N.	Description	Qty	Validity:		Price
						From	To	
0001		TBFX00308		TUBE L=580MM	1,00			--
0002		FSVR00091		CLAMP 14-24	4,00			--
0003		MLML00002		SPRING PRESTOLA DOPPIA 8P	2,00			--
0005		MEEV00018		SOLENOID VALVE	1,00			--
0006		VTRS00516		WASHER D. 5 INX	2,00			--
0007		VTVT48694		SCREW TCB TC 5 X12 UNI 9707 TZ	2,00			--
0008		RCVR00542		CURVED CONNECT.M G1/2 PORTAG. 113-2213	1,00			--
0009		RCGR00065		TAP F/F 1/2"	1,00			--
0011		RCDS49622		CONNECTOR OCC 1/2 - 1/2M	1,00			--
0012		VTRS00142		WASHER BONDER 1/2"	2,00			--
0013		MPVR05221		FILTER COMPLETO	1,00			--
0014		LAFN05902		LEVER RUBINETTO	1,00			--
0015		VTRS00251		WASHER 4-16 INOX A2	1,00			--
0016		VTVT01316		SCREW TC+ M3-16	1,00			--
0017		TBFX00310		TUBE TUBO FLEX SPIR. D.12X3	1,00			--
0018		GUGO00268		GASKET D.21 SP.3 GOMMA	1,00			--
0019		RCVR00353		CAP 1/2"G X ELETTR. ACL	1,00			--
0021		LAFN06424		LEVER -	1,00			--
0022		MECB00916		WIRING ELETTR. VALVOLA	1,00			--
0023		VTDD01694		NUT M 6 INX	2,00			--
0024		LAFN06423		LEVER -	1,00			--
0025		RCVR00742		CONNECTOR 3/4"M	2,00			--
0027		LAFN41600		SPACER D. 6.5-12 L= 6 OT	1,00			--
0028		VTRS13945		WASHER D. 6X18 INX UNI 6593	1,00			--
0029		VTRS15144		WASHER D. 6 INX GRW UNI 1751	1,00			--
0030		VTVT15906		SCREW TE 6X 12 A2 UNI 5739	1,00			--



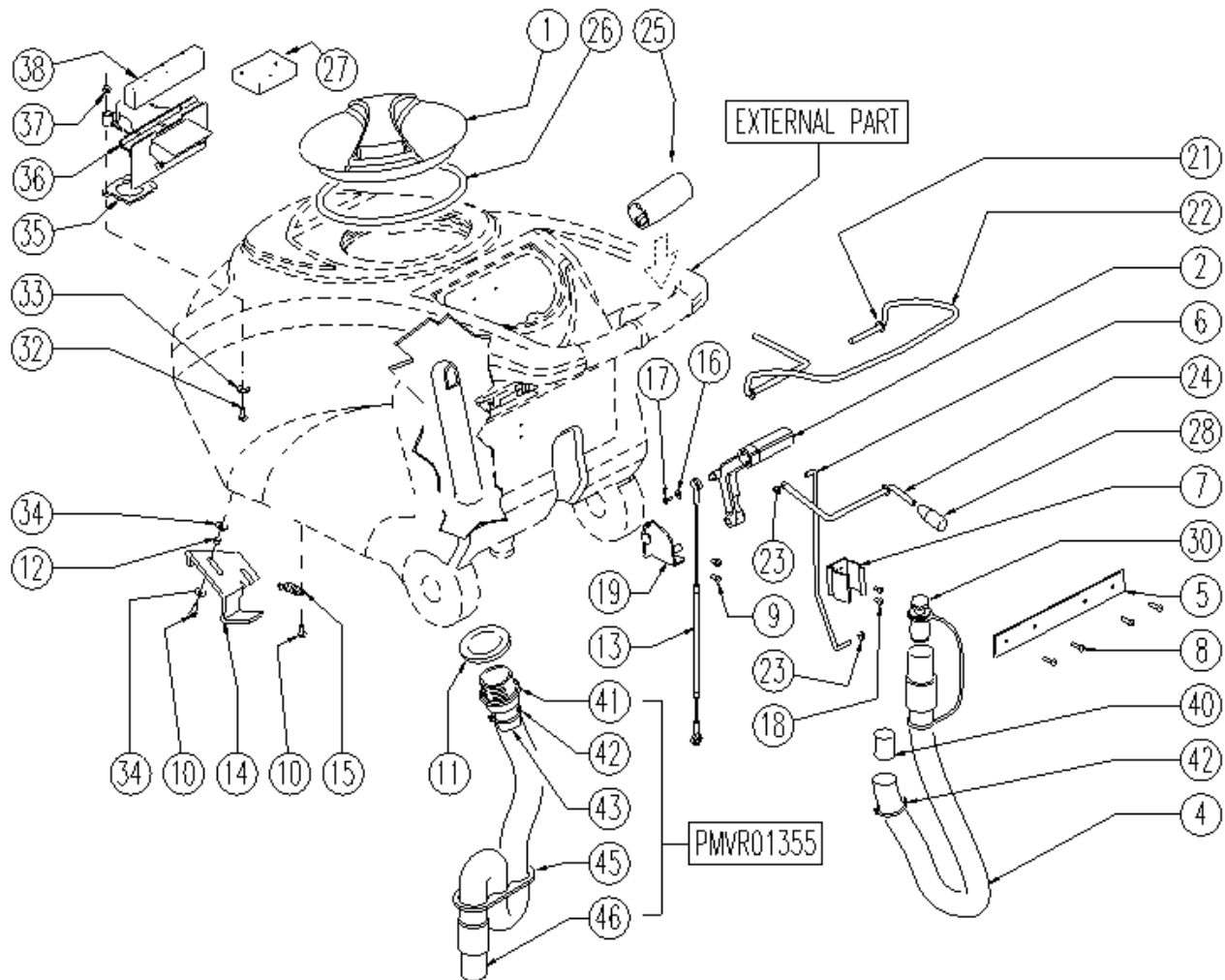
Ref. K	Part N.	Customer Part N.	Description	Qty	Validity:		Price
					From	To	
00F1	MEVR01332		FUSE-HOLDER	1,00			--
00F2	MEVR01332		FUSE-HOLDER	1,00			--
00L1	MECI00516		SENSOR DI LIVELLO ORIZZONTALE	1,00			--
00L2	MECI00516		SENSOR DI LIVELLO ORIZZONTALE	1,00			--
00L3	MECI36393		MICROSWITCH TRZ. DRW	1,00			--
00L4	MECI00334		MICROSWITCH V4	1,00			--
00M1	MOCC00301		MOTOR AOMPDI 24V 165W 130G	1,00			--
00M2	MOCC00253		MOTOR ASPIR.BIST.24V	1,00			--
00M3	MOCC00315		MOTOR MRP6 1/10 210G/ 24V W300	1,00			--
00M4	MOCC00315		MOTOR MRP6 1/10 210G/ 24V W300	1,00			--
00PE	MECI00402		BUTTON A FUNGO	1,00			--
0AP1	MECE00435		BOARD CT40 TRAZIONATA	1,00			--
0RL1	MECE00139		RELAY POTENZA 24V	1,00			--
0RL2	MECI00005		RELAY 24V 10/20A	1,00			--
0TL1	METT45116		CONTACTOR 24V T106 P	1,00			--
0TL2	METT45116		CONTACTOR 24V T106 P	1,00			--



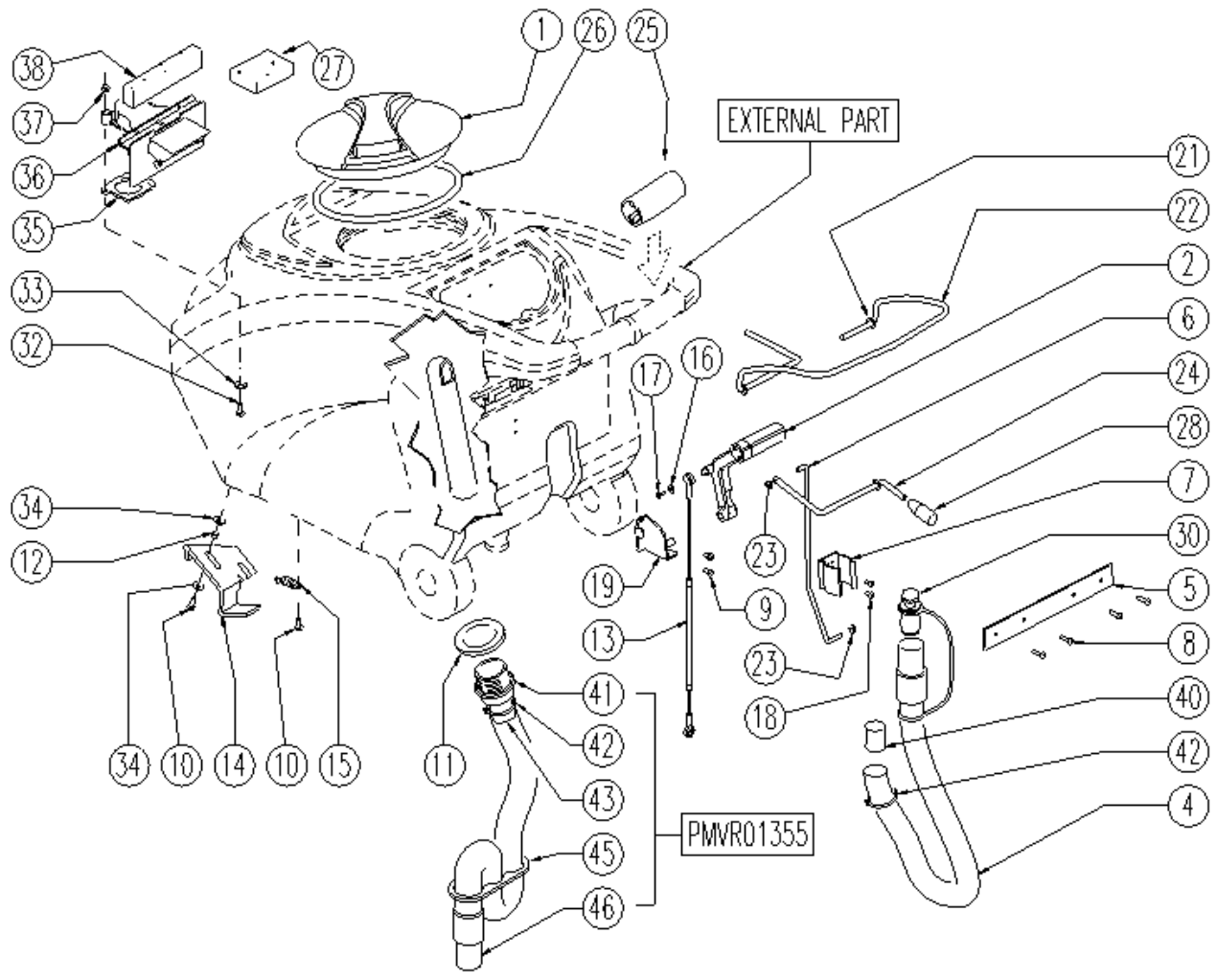
Ref.	K	Part N.	Customer Part N.	Description	Qty	Validity:		Price
						From	To	
00F1		MEVR01332		FUSE-HOLDER	1,00			--
00F2		MEVR01332		FUSE-HOLDER	1,00			--
00L1		MECI00516		SENSOR DI LIVELLO ORIZZONTALE	1,00			--
00L2		MECI00516		SENSOR DI LIVELLO ORIZZONTALE	1,00			--
00L3		MECI36393		MICROSWITCH TRZ. DRW	1,00			--
00L4		MECI00334		MICROSWITCH V4	1,00			--
00M1		MOCC00301		MOTOR AOMPDI 24V 165W 130G	1,00			--
00M2		MOCC00253		MOTOR ASPIR.BIST.24V	1,00			--
00M3		MOCC00315		MOTOR MRP6 1/10 210G/ 24V W300	1,00			--
00M4		MOCC00315		MOTOR MRP6 1/10 210G/ 24V W300	1,00			--
00PE		MECI00402		BUTTON A FUNGO	1,00			--
0AP1		MECE00435		BOARD CT40 TRAZIONATA	1,00			--
0RL1		MECE00139		RELAY POTENZA 24V	1,00			--
0RL2		MECI00005		RELAY 24V 10/20A	1,00			--
0TL1		METT45116		CONTACTOR 24V T106 P	1,00			--
0TL2		METT45116		CONTACTOR 24V T106 P	1,00			--

0	1	2	3	4	5	6	7	8	9																																																																													
<table border="1"> <tr> <th>Sim.\Sym</th> <th>Sigla\Item</th> <th>Funzione\Use Type</th> </tr> <tr> <td></td> <td>B =06 2</td> <td>24V battery</td> </tr> <tr> <td></td> <td>C1 =06 2</td> <td>Ternical control traction motor</td> </tr> <tr> <td></td> <td>C3 =06 3</td> <td>Ternical control brush motor</td> </tr> <tr> <td></td> <td>C4 =06 3</td> <td>Ternical control optional brush motor</td> </tr> <tr> <td></td> <td>F1 =06 2</td> <td>Main Fuse</td> </tr> <tr> <td></td> <td>F2 =06 3</td> <td>Suction motor Fuse Suction motor Fuse</td> </tr> <tr> <td></td> <td>L1 =06 2</td> <td>Clean H2O level switch Level switch Fluid</td> </tr> <tr> <td></td> <td>L2 =06 2</td> <td>Dirty H2= level switch</td> </tr> <tr> <td></td> <td>L3 =06 2</td> <td>Traction enable switch</td> </tr> <tr> <td></td> <td>L4 =06 2</td> <td>External Battery charger connector switch</td> </tr> <tr> <td></td> <td>M1 =06 3</td> <td>Traction motor</td> </tr> </table>			Sim.\Sym	Sigla\Item	Funzione\Use Type		B =06 2	24V battery		C1 =06 2	Ternical control traction motor		C3 =06 3	Ternical control brush motor		C4 =06 3	Ternical control optional brush motor		F1 =06 2	Main Fuse		F2 =06 3	Suction motor Fuse Suction motor Fuse		L1 =06 2	Clean H2O level switch Level switch Fluid		L2 =06 2	Dirty H2= level switch		L3 =06 2	Traction enable switch		L4 =06 2	External Battery charger connector switch		M1 =06 3	Traction motor	<table border="1"> <tr> <th>Sim.\Sym</th> <th>Sigla\Item</th> <th>Funzione\Use Type</th> </tr> <tr> <td></td> <td>M2 =06 3</td> <td>Suction motor</td> </tr> <tr> <td></td> <td>M3 =06 3</td> <td>Brush motor</td> </tr> <tr> <td></td> <td>M4 =06 3</td> <td>Brush motor</td> </tr> <tr> <td></td> <td>OC =06 2</td> <td>On board battery charger (option)</td> </tr> <tr> <td></td> <td>PE =06 2</td> <td>On / Off key button</td> </tr> <tr> <td></td> <td>R1 =06 2</td> <td>Resistance on control board</td> </tr> <tr> <td></td> <td>RL1 =06 3</td> <td>Suction motor relay Command relay on suction motor</td> </tr> <tr> <td></td> <td>RL2 =06 2</td> <td>Traction contactor</td> </tr> <tr> <td></td> <td>TL1 =06 2</td> <td>Main contactor</td> </tr> <tr> <td></td> <td>TL2 =06 3</td> <td>Brush motor contactor Brush motor contactor</td> </tr> <tr> <td></td> <td>XP1 =06 2</td> <td>External battery charger connector</td> </tr> </table>			Sim.\Sym	Sigla\Item	Funzione\Use Type		M2 =06 3	Suction motor		M3 =06 3	Brush motor		M4 =06 3	Brush motor		OC =06 2	On board battery charger (option)		PE =06 2	On / Off key button		R1 =06 2	Resistance on control board		RL1 =06 3	Suction motor relay Command relay on suction motor		RL2 =06 2	Traction contactor		TL1 =06 2	Main contactor		TL2 =06 3	Brush motor contactor Brush motor contactor		XP1 =06 2	External battery charger connector	<table border="1"> <tr> <th>Sim.\Sym</th> <th>Sigla\Item</th> <th>Funzione\Use Type</th> </tr> <tr> <td></td> <td>XP2 =06 2</td> <td>On board batt. charger power supply</td> </tr> </table>			Sim.\Sym	Sigla\Item	Funzione\Use Type		XP2 =06 2	On board batt. charger power supply
Sim.\Sym	Sigla\Item	Funzione\Use Type																																																																																				
	B =06 2	24V battery																																																																																				
	C1 =06 2	Ternical control traction motor																																																																																				
	C3 =06 3	Ternical control brush motor																																																																																				
	C4 =06 3	Ternical control optional brush motor																																																																																				
	F1 =06 2	Main Fuse																																																																																				
	F2 =06 3	Suction motor Fuse Suction motor Fuse																																																																																				
	L1 =06 2	Clean H2O level switch Level switch Fluid																																																																																				
	L2 =06 2	Dirty H2= level switch																																																																																				
	L3 =06 2	Traction enable switch																																																																																				
	L4 =06 2	External Battery charger connector switch																																																																																				
	M1 =06 3	Traction motor																																																																																				
Sim.\Sym	Sigla\Item	Funzione\Use Type																																																																																				
	M2 =06 3	Suction motor																																																																																				
	M3 =06 3	Brush motor																																																																																				
	M4 =06 3	Brush motor																																																																																				
	OC =06 2	On board battery charger (option)																																																																																				
	PE =06 2	On / Off key button																																																																																				
	R1 =06 2	Resistance on control board																																																																																				
	RL1 =06 3	Suction motor relay Command relay on suction motor																																																																																				
	RL2 =06 2	Traction contactor																																																																																				
	TL1 =06 2	Main contactor																																																																																				
	TL2 =06 3	Brush motor contactor Brush motor contactor																																																																																				
	XP1 =06 2	External battery charger connector																																																																																				
Sim.\Sym	Sigla\Item	Funzione\Use Type																																																																																				
	XP2 =06 2	On board batt. charger power supply																																																																																				
<table border="1"> <tr> <td>DATA</td> <td>10-01-2007</td> <td colspan="4">CLEANTIME 90 BT</td> <td>PLDC01723</td> <td>=86(-)</td> <td>4</td> </tr> <tr> <td>DISEGN.</td> <td></td> <td></td> <td></td> <td></td> <td></td> <td></td> <td>+</td> <td></td> </tr> <tr> <td>VISTO</td> <td></td> <td></td> <td></td> <td></td> <td></td> <td></td> <td></td> <td>FG.</td> </tr> <tr> <td>APPR.</td> <td></td> <td></td> <td></td> <td></td> <td></td> <td></td> <td></td> <td>F.S.</td> </tr> <tr> <td>REV.</td> <td>MODIFICA</td> <td>DATA</td> <td>FIRMA</td> <td>SOST. IL :</td> <td>SOST. DA :</td> <td>FILE :</td> <td></td> <td></td> </tr> </table>										DATA	10-01-2007	CLEANTIME 90 BT				PLDC01723	=86(-)	4	DISEGN.							+		VISTO								FG.	APPR.								F.S.	REV.	MODIFICA	DATA	FIRMA	SOST. IL :	SOST. DA :	FILE :																																		
DATA	10-01-2007	CLEANTIME 90 BT				PLDC01723	=86(-)	4																																																																														
DISEGN.							+																																																																															
VISTO								FG.																																																																														
APPR.								F.S.																																																																														
REV.	MODIFICA	DATA	FIRMA	SOST. IL :	SOST. DA :	FILE :																																																																																

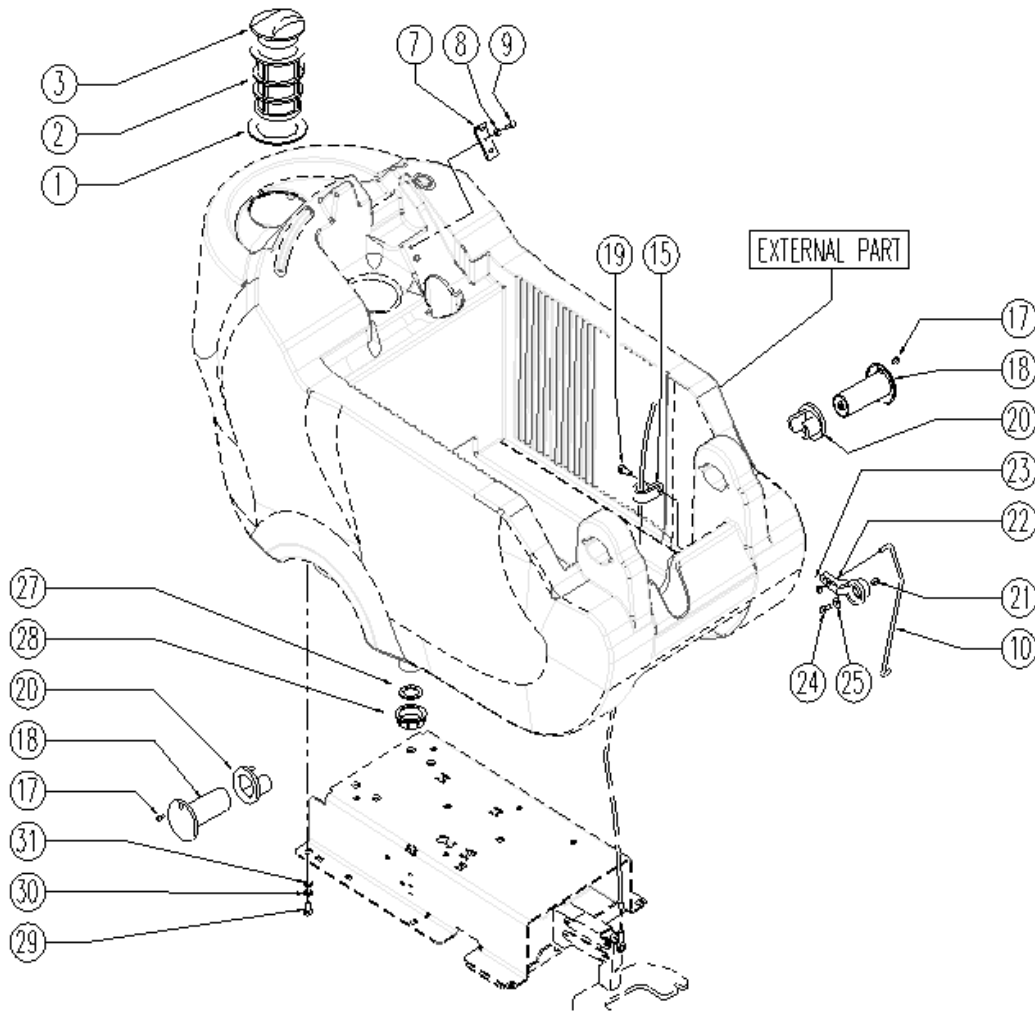
Ref.	K	Part N.	Customer Part N.	Description	Qty	Validity:	From	To	Price
00F1		MEVR01332		FUSE-HOLDER	1,00				--
00F2		MEVR01332		FUSE-HOLDER	1,00				--
00L1		MECI00516		SENSOR DI LIVELLO ORIZZONTALE	1,00				--
00L2		MECI00516		SENSOR DI LIVELLO ORIZZONTALE	1,00				--
00L3		MECI36393		MICROSWITCH TRZ. DRW	1,00				--
00L4		MECI00334		MICROSWITCH V4	1,00				--
00M1		MOCC00301		MOTOR AOMPDI 24V 165W 130G	1,00				--
00M2		MOCC00253		MOTOR ASPIR.BIST.24V	1,00				--
00M3		MOCC00315		MOTOR MRP6 1/10 210G/ 24V W300	1,00				--
00M4		MOCC00315		MOTOR MRP6 1/10 210G/ 24V W300	1,00				--
00PE		MECI00402		BUTTON A FUNGO	1,00				--
0AP1		MECE00435		BOARD CT40 TRAZIONATA	1,00				--
0RL1		MECE00139		RELAY POTENZA 24V	1,00				--
0RL2		MECI00005		RELAY 24V 10/20A	1,00				--
0TL1		METT45116		CONTACTOR 24V T106 P	1,00				--
0TL2		METT45116		CONTACTOR 24V T106 P	1,00				--



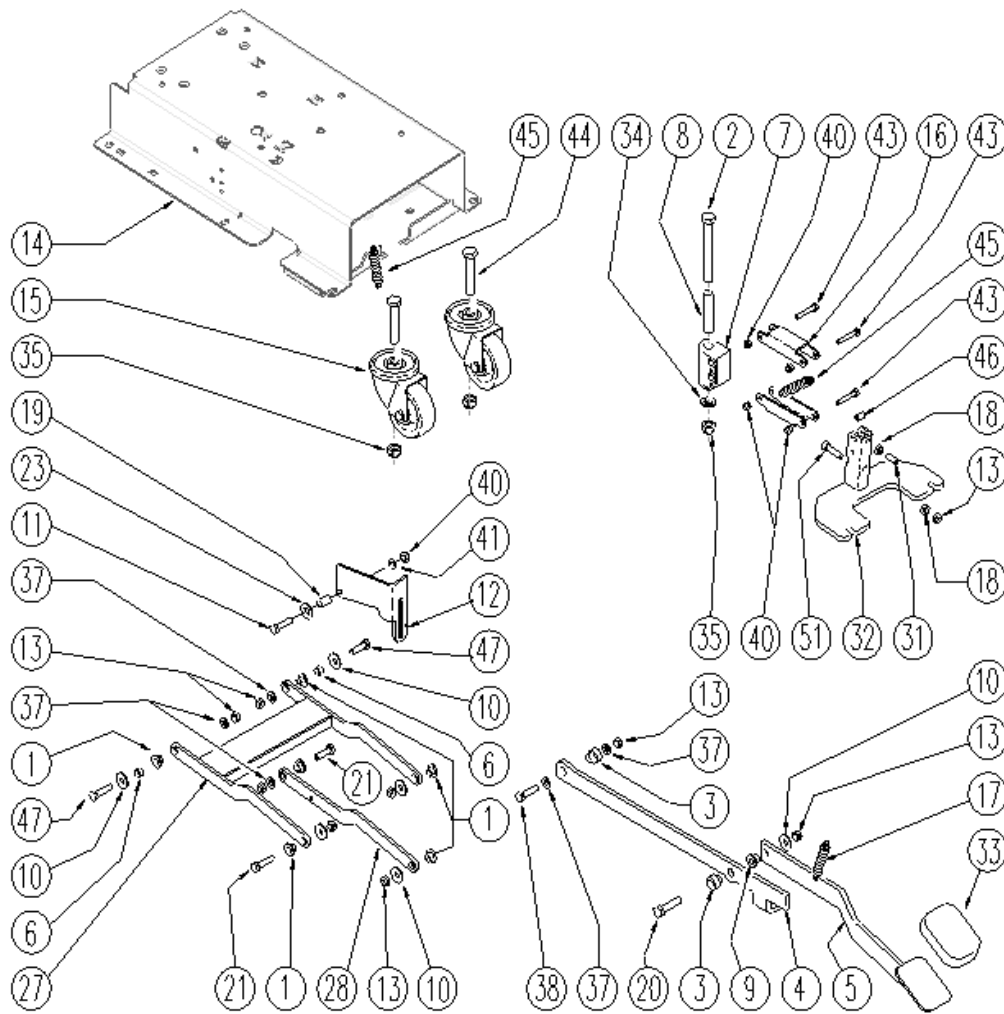
Ref.	K	Part N.	Customer Part N.	Description	Qty	Validity:	From	To	Price
0001		MPVR04051		TANK CAP	1,00				--
0002		MPVR49942		LEVER SHK PP	1,00				--
0004		TBBP00405		TUBE SCARICO	1,00				--
0005		LAFN05865		PLATE COPRILEVA CONSENSO	1,00				--
0006		LAFN05863		ROD RUBINETTO	1,00				--
0007		MPVR46988		CLIP LAV. SHK	1,00				--
0009		VTVT15906		SCREW TE 6X12 A2 UNI 5739	2,00				--
0010		VTVT15143		SCREW TE 6X16 UNI5739	3,00				--
0011		GUGO00216		GASKET ACQUA SPORCA	1,00				--
0013		CMCV00312		CABLE SOLLEVAMENTO SQUEEGEE	1,00				--
0014		LAFN06849		HANDLE CT 70	1,00				--
0016		VTRS00251		WASHER 4-16 INOX A2	1,00				--
0017		VTVT00800		SCREW TC 4X12 ZN	1,00				--
0018		VTVT21096		SCREW TE M 4X10 INX	2,00				--
0019		LAFN05870		BRACKET LEVA SOLLEVAM. SQUEEGEE	1,00				--
0020		PMVR02012		GROUP TUBO TUBO INT. P197	1,00				--
0021		VTRS13947		WASHER D. 8 INX UNI 6592	2,00				--
0022		LAFN07332		LEVER -	1,00				--
0023		VTDD01694		NUT M 6 INX	2,00				--
0024		LAFN05908		ROD COMANDO RUBINETTO	1,00				--
0025		MPVR05215		KNOB -	2,00				--
0026		GUGO00263		GASKET CIRCOLARE TAPPO	1,00				--
0027		FTDP00133		FILTER ASPIRAZIONE ALLUNG.	1,00				--
0028		MPVR04146		KNOB IN PVC MOD. 1001 FORO D.6	1,00				--
0030		MPVR05064		CAP COMPLETO	1,00				--
0031		MPVR51086		TUBE INT.SERB.RECUP.	1,00				--
0032		VTVT01139		SCREW TE M.4-25	2,00				--
0033		VTRS00515		WASHER D. 4 INX	2,00				--
0034		VTRS00274		WASHER NYLON 66 D.8,4-17-2 UNI	4,00				--
0035		GUGO00417		GASKET SCATOLA ASPIRAZIONE	1,00				--
0036		FTDP00185		BOX ASPIRAZIONE	1,00				--
0037		VTDD15925		NUT M 4 INX	2,00				--
0038		GUGO00418		GASKET CONDOTTO ASPIRAZIONE	1,00				--
0039		PMVR01129		GROUP tubo tigr.d.50 p185	1,00				--
0040		GUGO00245		GASKET	1,00				--
0041		RCVR00586		CONNECTOR 1/4	1,00				--
0042		FSVR43136		CLAMP D. 35-40 DF.	2,00				--
0043		MPVR02765		PROTECTION INNESTO FISSAGGIO	1,00				--
0045		MPVR02730		PLATE SIFONE	1,00				--



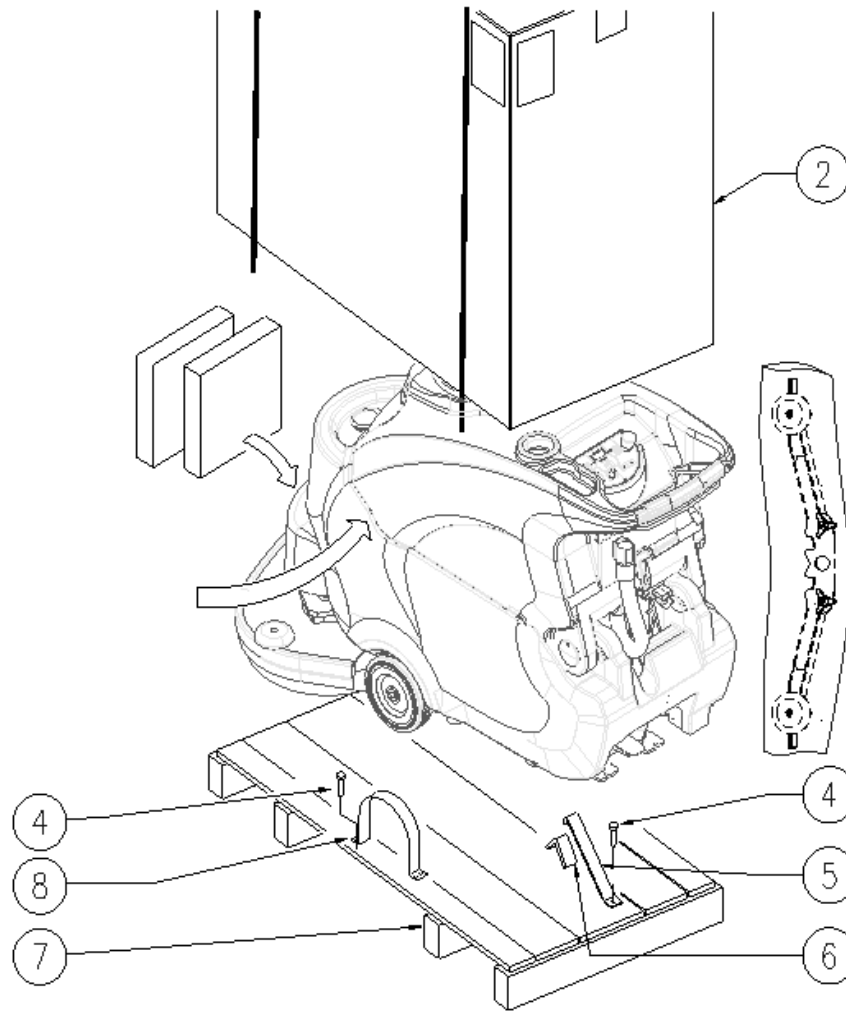
Ref. K	Part N.	Customer Part N.	Description	Qty	Validity:		Price
					From	To	
0046	TBBP00407		TUBE L=850 d.i.350	1,00			--



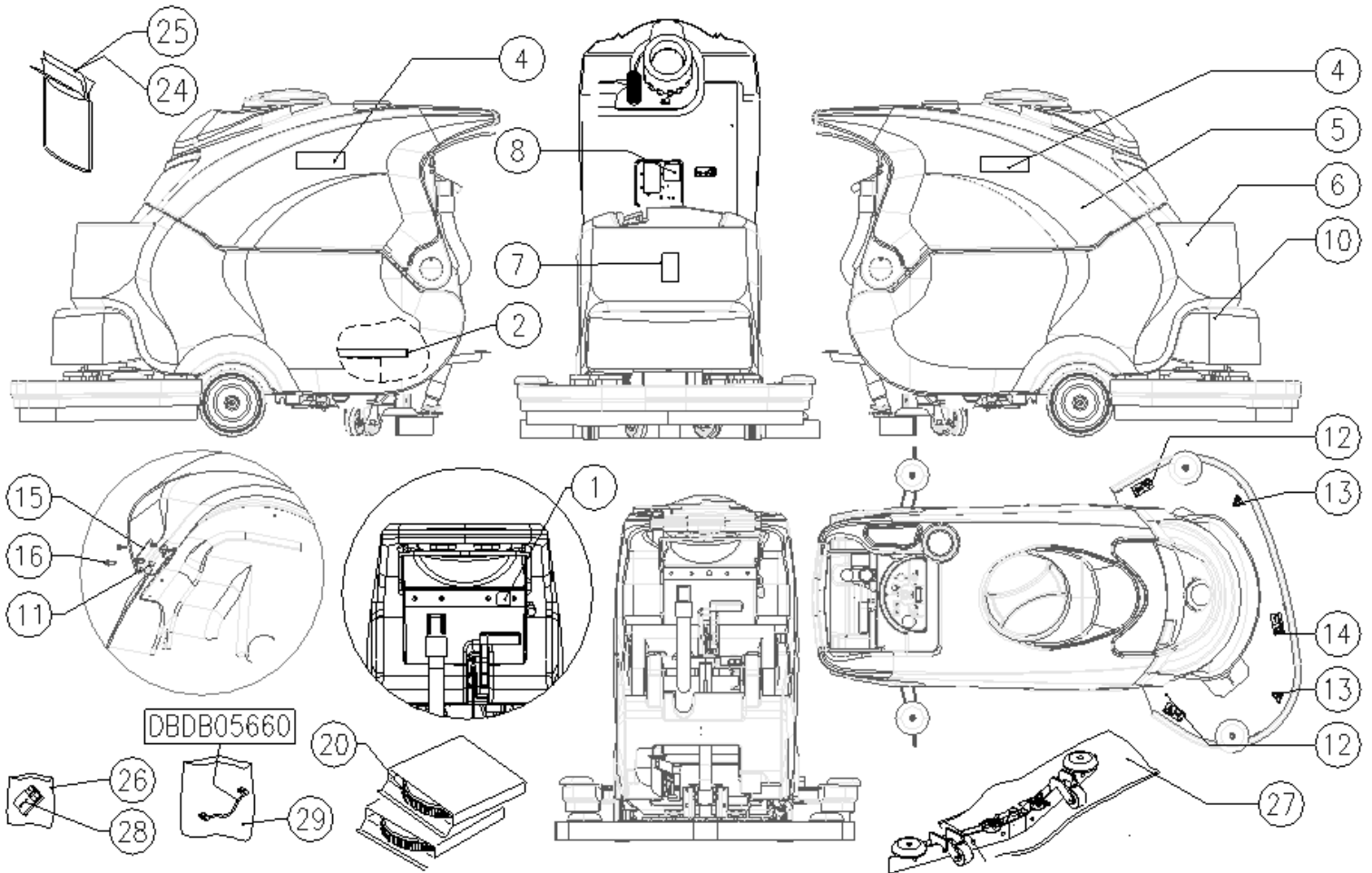
Ref. K	Part N.	Customer Part N.	Description	Qty	Validity:		Price
					From	To	
0001	GUGO00267		GASKET FILTRO	1,00			--
0002	FTAC00040		FILTER -	1,00			--
0003	MPVR05188		CAP -	1,00			--
0008	VTRS15144		WASHER D. 6 INX GRW UNI 1751	1,00			--
0009	VTVT01303		SCREW TE M6-10 INOX	1,00			--
0010	LAFN07233		ROD -	1,00			--
0015	MPVR02933		DUCT LOCK D.9,5	2,00			--
0017	VTVT48694		SCREW TCB TC 5 X12 UNI 9707 TZ	2,00			--
0018	MPVR48695		PIN SHK.BK	2,00			--
0019	VTVT15961		SCREW M 5X 16 TCB TC UNI 7687	1,00			--
0020	PMVR02028		RUBBER GRUPPO MONTAGGIO	2,00			--
0021	VTVR48693		INSERT M6 D.9	1,00			--
0022	MPVR49471		LEVER SHK	1,00			--
0024	VTVT15143		SCREW TE 6X16 UNI5739	1,00			--
0025	VTRS13945		WASHER D. 6X18 INX UNI 6593	1,00			--
0027	GUGO00416		GASKET TAPPO SCARICO SERB.	1,00			--
0028	MPVR04931		CAP SCARICO	1,00			--
0029	VTVT15916		SCREW TE M 8X 16 UNI 5739 A2	4,00			--
0030	VTRS00269		WASHER D. 8 DIN 6798-A INX A2	4,00			--
0031	VTRS13947		WASHER D. 8 INX UNI 6592	4,00			--



Ref.	K	Part N.	Customer Part N.	Description	Qty	Validity: From To	Price
0001	LAFN06391	BUSHING	PARALLELOGRAMMA	6,00	--		
0002	VTVT00394	SCREW	M12X80 A2 UNI5737	1,00	--		
0003	LAFN04190	BUSHING	PARALLELOGR.TEST.GR.	2,00	--		
0004	LAFN09091	LEVER	SOLLEVAMENTO	1,00	--		
0005	LAFN06425	LEVER	-	1,00	--		
0006	RCDS34717	BUSHING	D. 9X12X 8.3	2,00	--		
0007	MPVR04734	BLOCK	TERGI	1,00	--		
0008	LAFN04188	PIN	ROTAZIONE SQUEEGEE	1,00	--		
0009	LAFN51068	BUSHING	LEVA POSTER.	1,00	--		
0010	VTRS13946	WASHER	D. 8 X24 INX UNI 6593	6,00	--		
0011	VTVT00161	SCREW	TE M6X20	1,00	--		
0012	LAFN10124	PLATE	-	1,00	--		
0013	VTDD01695	NUT	M 8 INX	8,00	--		
0014	LAFN06422	FRAME	-	1,00	--		
0015	RTRT00276	SMALL WHEEL	GIREVOLE PER SPAZZANTE	2,00	--		
0016	LAFN05853	LEVER ARM	SOLLEVAMENTO TERGI	2,00	--		
0017	MLML34726	SPRING	TR E350 N	1,00	--		
0018	VTDD15521	NUT	M 8 INX A2 UNI 5588	2,00	--		
0019	LAFN03840	BUSHING	-	1,00	--		
0020	VTVT15917	SCREW	TE M 8X50 INOX A2 UNI	1,00	--		
0021	VTVT15907	SCREW	TE 8X25 UNI5739 INX	4,00	--		
0023	VTRS00274	WASHER	NYLON 66 D.8,4-17-2 UNI	1,00	--		
0026	VTDD15925	NUT	M 4 INX	1,00	--		
0027	LAFN06421	ARM	-	1,00	--		
0028	LAFN06389	ARM	PARALLELOGRAMMA	1,00	--		
0031	VTVT00908	GRUB SCREW	M.8-25 PIANO	1,00	--		
0032	LAFN06355	PLATE	SQUEEGEE	1,00	--		
0033	MPVR05186	COVER	-	1,00	--		
0034	VTRS00312	WASHER	D.13 x24 INOX	1,00	--		
0035	VTDD00176	NUT	M.12 INOX A2 BASSO AUTOB.	3,00	--		
0037	VTRS13947	WASHER	D. 8 INX UNI 6592	4,00	--		
0038	VTVT00429	SCREW	TE M 8X 40 INX UNI 5737	1,00	--		
0040	VTDD01694	NUT	M 6 INX	5,00	--		
0041	VTRS00245	WASHER	D.6 UNI 6592 INOX	1,00	--		
0043	VTVT15145	SCREW	TE 6X40 UNI5739 INX	4,00	--		
0045	MLML00303	SPRING	REGISTRAZIONE FLAP	2,00	--		
0046	LAFN03742	SPACER	SILENZIATORE	1,00	--		
0047	VTVT13937	SCREW	TE M 8X 30 INX UNI 5739	2,00	--		
0051	VTVT00822	SCREW	TCEI M 8-30	1,00	--		



Ref. K	Part N.	Customer Part N.	Description	Qty	Validity:		Price
					From	To	
0002	MICT00197		BOX	1,00			--
0004	VTVT00043		SCREW AUTOF.LEGNO 4,5X25 TS BR	9,00			--
0005	MIVR00137		CLAMP RUOTA POSTERIORE X IMBAL.	1,00			--
0008	MIVR00135		CLAMP RUOTA POSTERIORE X IMBAL.	2,00			--



Ref. K	Part N.	Customer Part N.	Description	Qty	Validity:		Price
					From	To	
0001	ETET01447		LABEL	1,00			--
0002	MPVR04985		FRONT PANEL	1,00			--
0004	ETET01491		LABEL LATERALE	2,00			--
0005	MPVR05210		TANK CT85	1,00			--
0006	MPVR05211		TANK CT85	1,00			--
0007	ETET01487		LABEL -	1,00			--
0008	ETET00763		LABEL SIMBOLO FUSIBILI	1,00			--
0010	MPVR04984		FRONT PANEL	1,00			--
0012	ETET00906		ADHESIVE SIMBOLO PERICOLO DI ABRAS	2,00			--
0013	ETET00897		ADHESIVE SIMBOLO PERICOLO	2,00			--
0014	ETET00898		ADHESIVE SIMBOLO SCHIACCIAMENTO	1,00			--
0015	LAFN07247		ARM SOLLEV.CASSET.TK1300 VERN	2,00			--
0016	VTVT15961		SCREW M 5X 16 TCB TC UNI 7687	4,00			--
0020	SPPV47749		BRUSH NYLON 0.8 D.340 BT 7000	2,00			--
0024	PLDC01602		INSTR.MANUAL CLEAN TIME 350	1,00			--
0025	PLDC01450		MANUAL RIC. CLT40	1,00			--
0026	MIVR00072		ENVELOPE PLASTICA TRASP.	1,00			--
0027	MIVR00048		TUBE UNIBOL	1,00			--
0028	MEVR01079		CONNECTOR CARICABATT.ROSSO	1,00			--
0029	MIVR00064		ENVELOPE PORTA CABLAGGI	1,00			--