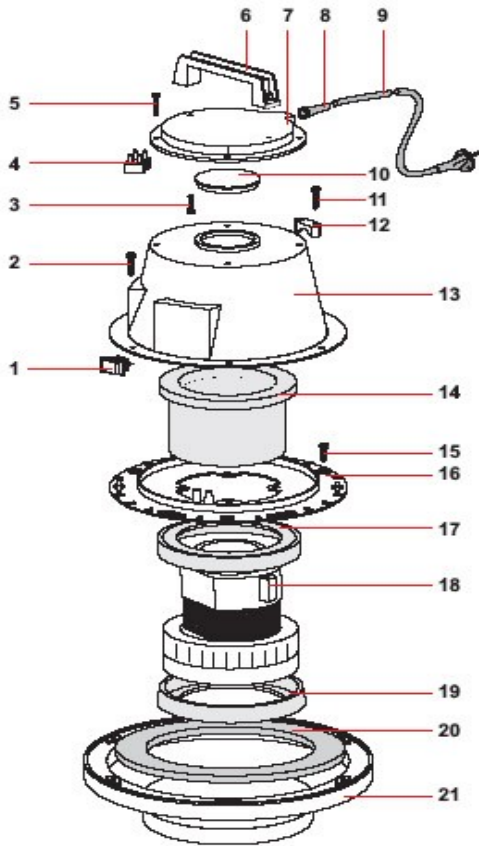
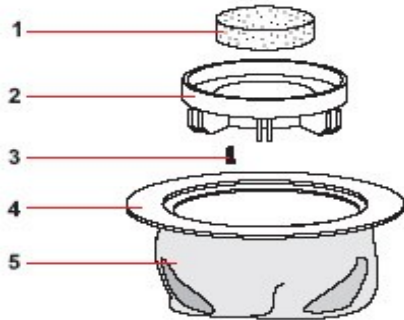


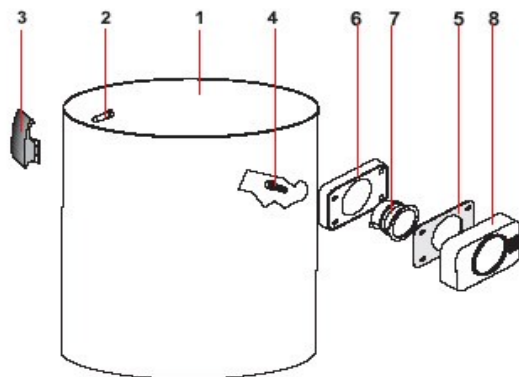
101 BOX VAC



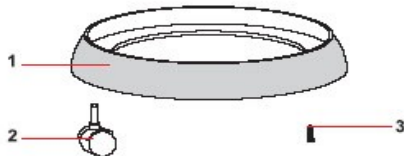
Pos	P/T#	Description	Req.
1	S80114	SWITCH	1
2	S81006	SCREW, (PHILLIPS) M5 x 20	6
3	S81005	SCREW, M5 X 14	2
4	S86909	TERMINAL BLOCK	1
5	S81006	SCREW, (PHILLIPS) M5 x 20	4
6	S82992	HANDLE, LIFT	1
7	S81152	COVER, DOME 315 BLACK	1
8	S80138	FAIRLEAD	1
9	S83863	CORD, 2X16AWG SJTW	1
10	S83383AU	PLUG	1
11	S81006	SCREW, (PHILLIPS) M5 x 20	2
12	S80139	CLAMP, CORD	1
13	S81146	COVER, DOME	1
14	S83900AU	FILTER, H=75	1
15	S81005	SCREW, M5 X 14	2
16	S83608AU	MOTOR SUPPORT, BLACK	1
17	S83935	GASKET	1
18	S83888TP	MOTOR, 1000W, 120V	1
19	S87630	GASKET	1
20	S87635	MUFFLER	1
21	S80145	LOWER MOTOR SUPPORT	1



Pos	P/T#	Description	Req.
1	S81203	INTAKE FILTER	1
2	S80122	PLASTIC CAGE	1
3	S81050	SCREW, M5 X 335	4
4	S80123	FILTER RING 300	1
5	S80124	POLYESTER FILTER, H75	1



Pos	P/T#	Description	Req.
1	S83581	POLY TANK BARE	1
2	S81302	RIVET, M5 X 19	4
3	S81847	CLAMP, TANK	2
4	S81026	SCREW, M5 X 30	4
5	S82846	GASKET	1
6	S82586	GASKET R 205 BLACK	1
7	S82593	DEFLECTOR, TANK	1
8	S82652A	INLET COVER	1



Pos	P/T#	Description	Req.
1	S80153	DOLLEY, CASTER	1
2	S80558	CASTER	4
3	S81005	SCREW, M5 X 14	4