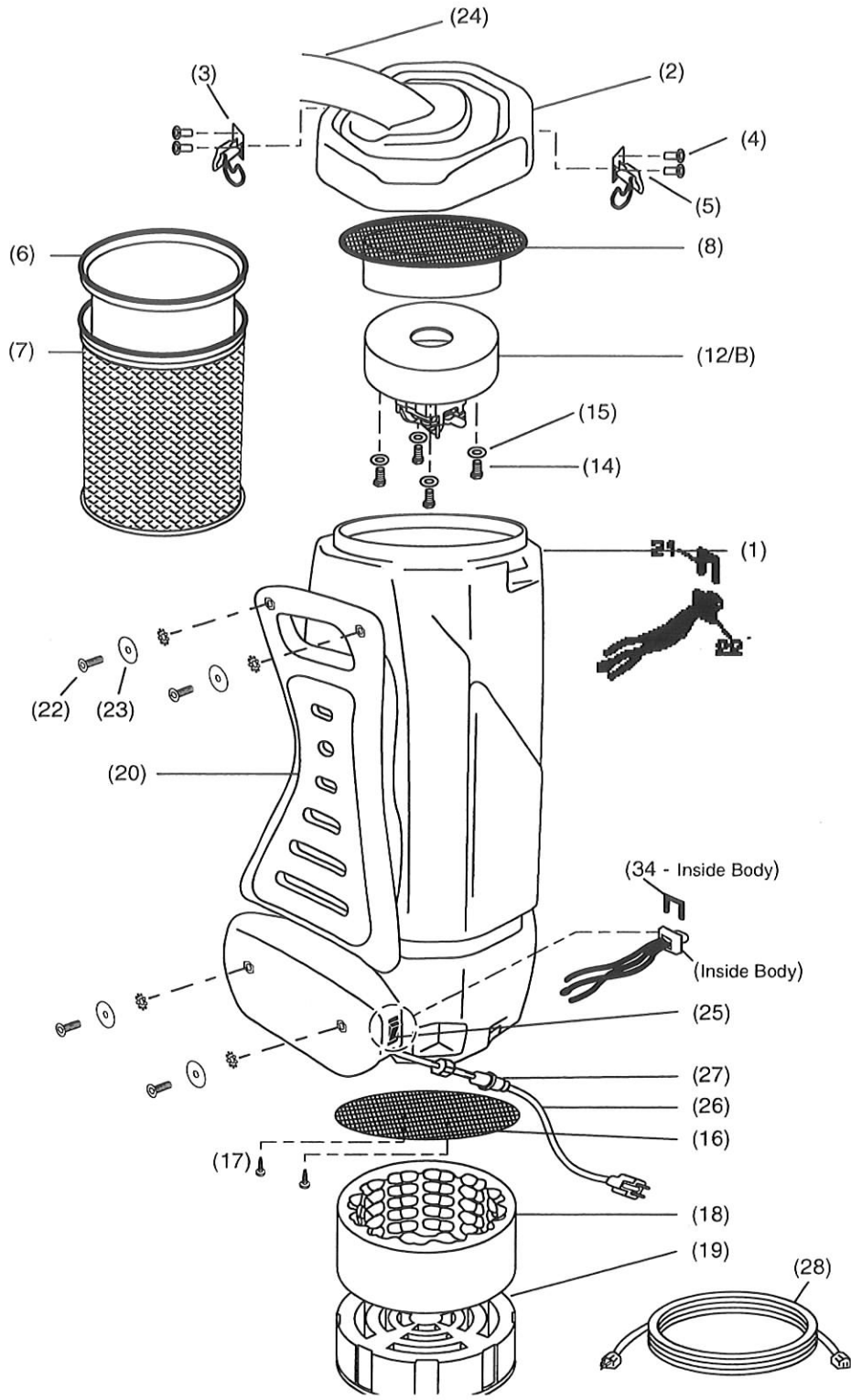
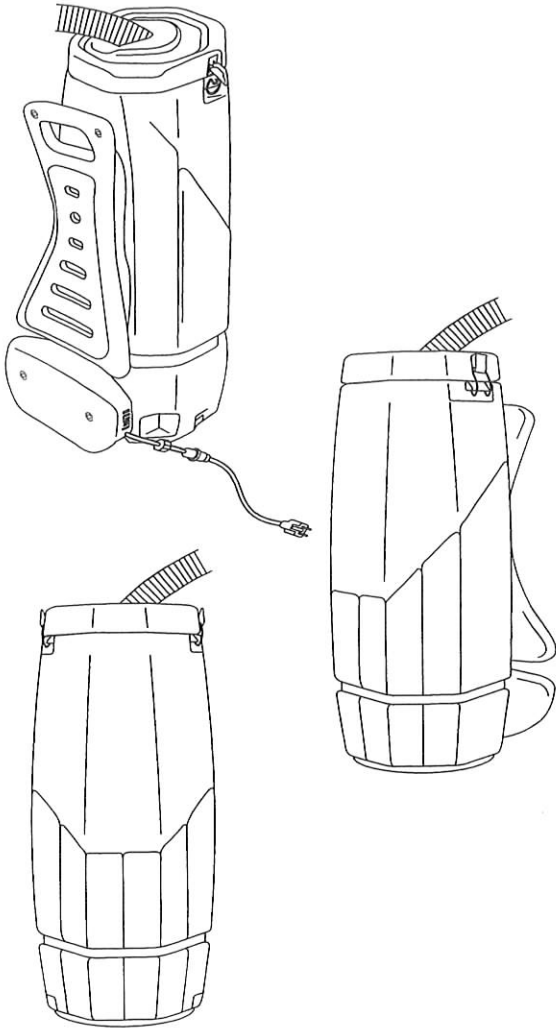


Schematic Drawing



Replacement Parts List

Parts Breakdown



10-0001	Body
10-0002	Lid
10-0003	Lid Latch
10-0004	Lid Rivet
10-0005	Lid Rivet/Washer
10-0006	Micro-Lined Paper Bag
10-0007	10-qt Cloth Bag & Gasket
10-0008	Dome Filter
10-0009	Dome Filter Rivet
10-0010	Dome Filter Deflector Plate
10-0011	Dome Filter Deflector Plate with Trim/Lock
10-0012	Motor XP-Whisper
10-0013	Motor Super/Raven
10-0014	Motor Screws
10-0015	Motor Washers
10-0016	Motor Deflector
10-0017	Motor Deflector/Screws
10-0018	Sound Filter/Band
10-0019	Dual Cell Noise Filter
10-0020	Cushion Back Pad
10-0021	Shoulder & Waist Belt (not shown)
10-0022	Shoulder & Waist Belt Screws
10-0023	Shoulder & Waist Belt Washers
10-0024	Vacuum Hose - Smooth Core
10-0025	On/Off Switch
10-0026	17" Power Cord
10-0027	Pigtail & Nut
10-0028	50' Electric Cord
10-0029	2 Piece Aluminum Wand (not shown)
10-0030	1 - 1/2" Dust Brush (not shown)
10-0031	1 - 1/2" Upholstery Tool (not shown)
10-0032	14" Floor Scalloped Tool (not shown)
10-0033	17" Crevice Tool (not shown)
10-0034	Power Head Electrical Fitting (Bulkhead)
10-0035	Box with Logo (not shown)

Replacement Tools

Ref No	Description	Part No
50	Complete Tool Kit	
51	2 Piece Aluminum Wand	10-0029
52	Stretch Hose	10-0036
53	17" Crevice Tool	10-0033
54	Round Dust Brush	10-0037
55	Upholstery Tool	10-0031
56	14" Scalloped Carpet Tool	10-0032
60	16" Carpet/Floor Tool (Optional)	

