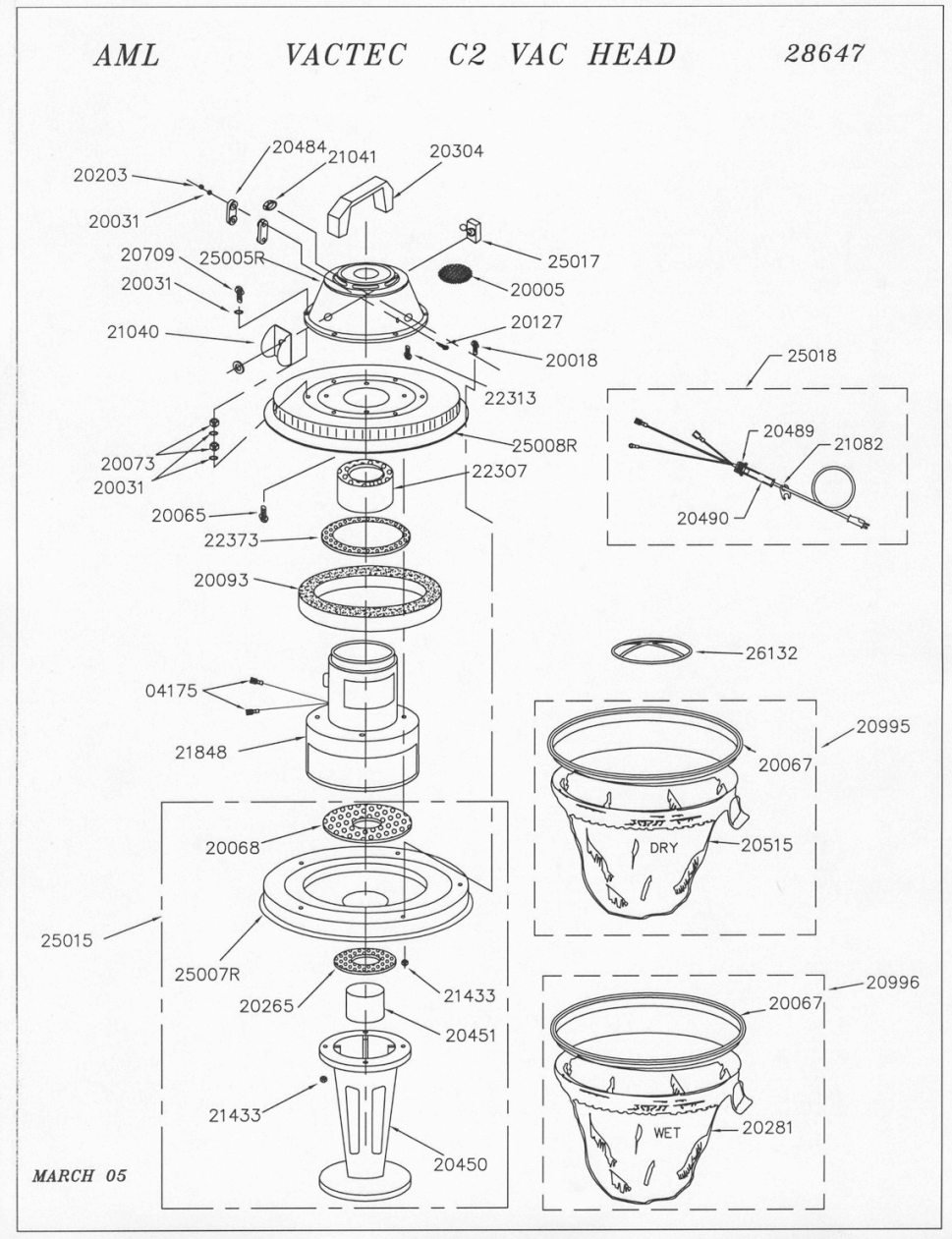


28647

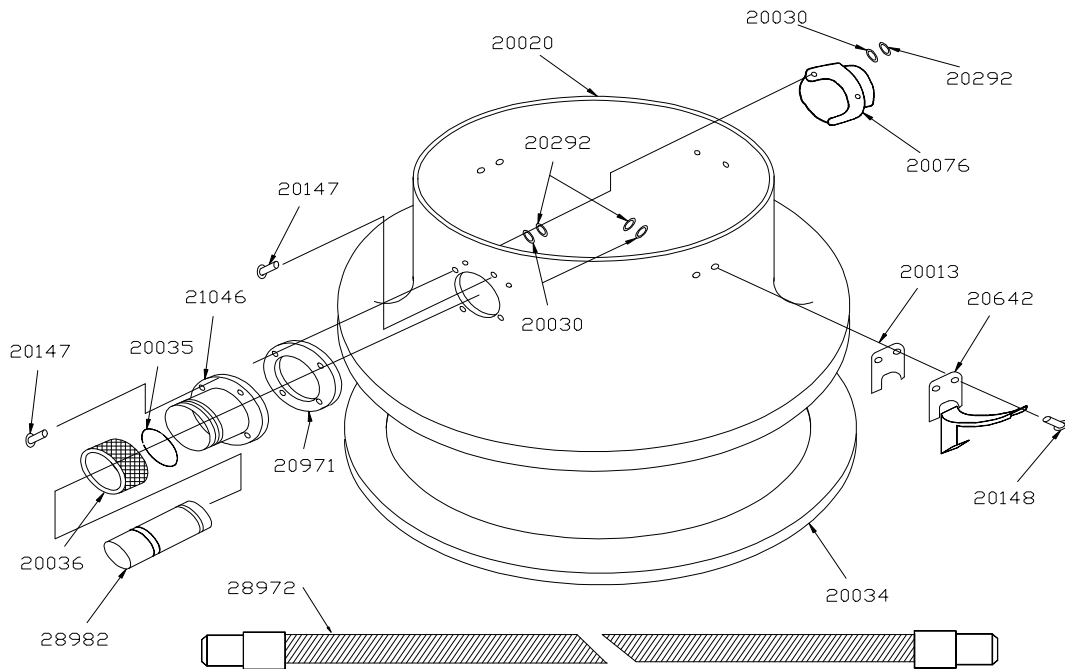
VACTEC C2 VAC HEAD AML

| ITEM | DESCRIPTION | QTY REQ |
|--------|---------------------------------|---------|
| 04175 | TERMINAL - FEMALE QUICK CONNECT | 2 |
| 20005 | SCREEN | 1 |
| 20018 | 8-32 X 1/2 SCREW | 5 |
| 20031 | LOCKWASHER | 11 |
| 20065 | 8-32 X 1/2 BRASS SCREW | 2 |
| 20067 | FILTER SUPPORT RING | 2 |
| 20068 | LOWER MOTOR GASKET | 1 |
| 20073 | 8-32 NUT BRASS | 4 |
| 20093 | SHROUD FILTER | 1 |
| 20127 | 8-32 X 1" SCREW | 2 |
| 20203 | 8-32 NUT | 2 |
| 20265 | GASKET WET SHUT OFF | 1 |
| 20281 | WET FILTER | 1 |
| 20304 | HANDLE | 1 |
| 20450 | FLOAT CASTING | 1 |
| 20451 | FLOAT SHUT OFF | 1 |
| 20484 | CORD GRIP | 2 |
| 20489 | BUSHING | 1 |
| 20490 | BENDING GUARD | 1 |
| 20515 | LARGE DRY FILTER | 1 |
| 20709 | 8-32 X 5/16 SCREW | 5 |
| 20995 | LARGE DRY FILTER ASSEMBLY | 1 |
| 20996 | LARGE WET FILTER ASSEMBLY | 1 |
| 21040 | VACUUM SWITCH GUARD | 1 |
| 21041 | NUT BENDING GUARD | 1 |
| 21082 | CORD GRIP | 1 |
| 21433 | 8-32 NYLOC NUT | 9 |
| 21848 | VAC MOTOR BY-PASS | 1 |
| 22307 | GASKET MED BI-PASS | 1 |
| 22313 | # 10 X 3/8 PHS HI-LO | 2 |
| 22373 | GASKET-SHROUD | 1 |
| 25005R | MOTOR COVER-RED | 1 |
| 25007R | VAC. LID | 1 |
| 25008R | SHROUD-RED | 1 |
| 25015 | ADAPTER KIT | 1 |
| 25017 | SWITCH - QUICK CONNECT | 1 |
| 25018 | CORD SET - 50 FEET | 1 |
| 26132 | JOGGER RING | 1 |



MARCH 2005

DRUM CONVERTER 28937
CONVERTISSEUR DE FÛT 28937



| ITEM | DESCRIPTION | QTY |
|-------------|-----------------------------|------------|
| 20013 | COVER CLAMP SPACER | 3 |
| 20020 | DRUM CONVERTER W/W GREY | 1 |
| 20030 | NEOPRENE WASHER | 12 |
| 20034 | GASKET DRUM CONVERTER | 1 |
| 20035 | SWIVEL CLAMP RING | 1 |
| 20036 | KNURLED NUT 1-1/2 | 1 |
| 20076 | INLET DEFLECTOR | 1 |
| 20147 | 5/16 RIVET | 6 |
| 20148 | 1/2 RIVET | 6 |
| 20292 | BRASS WASHER | 12 |
| 20642 | COVER CLAMP | 3 |
| 20971 | GASKET VAC INLET | 1 |
| 21046 | SW SLEEVE C/W FLANGE | 1 |
| 28972 | HOSE 1-1/2 X 10' GREY G-VAC | 1 |
| 28982 | HOSE JOINER | 1 |

MAY 98